

KÄRCHER

makes a difference

VC 3 Plus
VC 3 Premium Plus

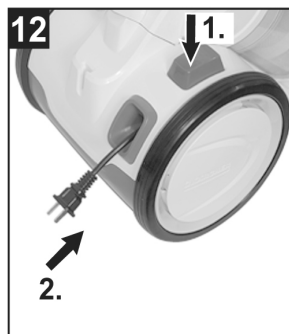
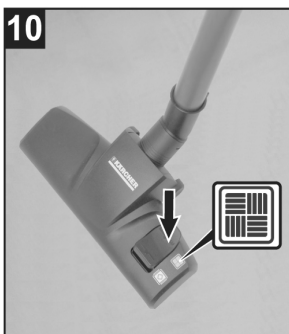
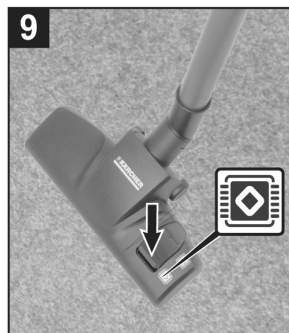
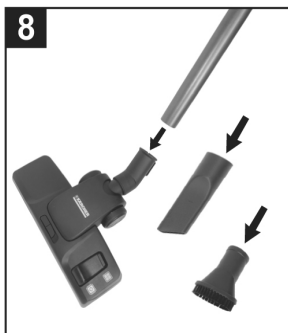
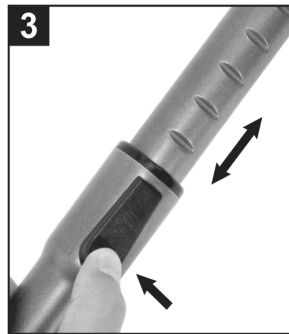
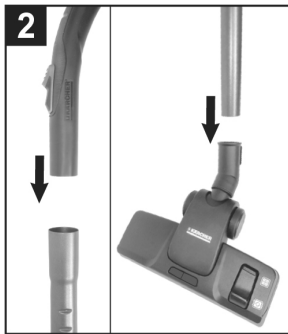
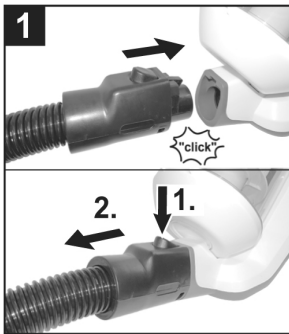
English.

Русский

Қазақша



97646800 (03/18)



Contents

General notes	EN	5
Description of the Appliance	EN	9
Operation	EN	10
Cleaning and care	EN	11
Technical specifications	EN	12

Dear Customer,



Please read and comply with these original instructions prior to the initial operation of your appliance and store them for later use or subsequent owners.

General notes

Proper use

This universal vacuum cleaner is intended for the private use at home and not for commercial purposes. The manufacturer is not liable for any damage that may occur on account of improper use or wrong operation. Use the universal vacuum cleaner only with:

- Original spare parts, accessories and special accessories.

The universal vacuum cleaner is **not** suitable for:

- Vacuuming off human beings or animals.
- Vacuuming up:
 - Small living creatures (e.g. flies, spiders, etc.).
 - Substances that are harmful for health, have sharp edges, are hot or glowing.
 - Moist or liquid substances.
 - Easily inflammable or explosive substances and gases.

Environmental protection



The packaging material can be recycled. Please do not place the packaging into the ordinary refuse for disposal, but arrange for the proper recycling.



Old appliances contain valuable materials that can be recycled. Please arrange for the proper recycling of old appliances. Please dispose your old appliances using appropriate collection systems.

Notes about the ingredients (REACH)

You will find current information about the ingredients at:

www.kaercher.com/REACH

Disposal of dust filters

The dust filters are made of environmentally friendly materials.

They can therefore be disposed off through the normal household garbage provided you have not sucked in substances that are not permitted to be thrown into household garbage.

Warranty

The terms of the guarantee applicable in each country have been published by our respective national distributors. We will repair possible faults on your unit free of charge within the warranty period, insofar as the faults are caused by material defects or defective workmanship. Guarantee claims should be addressed to your dealer or the nearest authorized customer service centre, and supported by documentary evidence of purchase.

Customer Service

Our KÄRCHER branch will be pleased to help you further in the case of questions or faults. See address on the reverse.

Spare parts

Only use original accessories and spare parts, they ensure the safe and trouble-free operation of the device. For information about accessories and spare parts, please visit www.kaercher.com.

Scope of delivery

The scope of delivery of your appliance is illustrated on the packaging. Check the contents of the appliance for completeness when unpacking.

In the event of missing accessories or any transport damage, please contact your dealer.

Safety instructions

- *Please read the operating instructions for your machine before using it, and pay particular attention to the following safety instructions.*
- *Warning and information plates on the machine provide important directions for safe operation.*
- *Apart from the notes contained herein the general safety provisions and rules for the prevention of accidents of the legislator must be observed.*

Hazard levels

△ DANGER

Pointer to immediate danger, which leads to severe injuries or death.

△ WARNING

Pointer to a possibly dangerous situation, which can lead to severe injuries or death.

△ CAUTION

Pointer to a possibly dangerous situation, which can lead to minor injuries.

ATTENTION

Pointer to a possibly dangerous situation, which can lead to property damage.

Electric components

△ DANGER

Risk of electric shock.

- *Turn off the appliance and remove the mains plug prior to any care and maintenance works.*
- *Repair work and work on the electrical components may only be performed by an authorised customer service.*
- *Check the power cord with mains plug for damage prior to every use. Immediately have damaged power cord replaced by an authorised customer service / electrician. Do not operate an appliance if the power cord is damaged.*
- *Do not use scouring agents, glass or multi-purpose cleaners!*
- *Do not immerse the appliance into water!*
- *Do not carry / transport the appliance on the mains cable.*
- *Do not scrape the power cord across sharp edges and ensure that it does not get pressed.*
- *Do not remove the mains plug from the socket by pulling on the power cord.*
- △ **WARNING**
- *The appliance may only be connected to an electric supply that has been installed by an electrician in accordance with IEC 60364.*

- *The appliance may only be connected to alternating current. The mains voltage must correspond with the voltage indicated on the type plate.*
- *For safety reasons, we recommend that you operate the appliance only via a residual current device (max. 30 mA).*
- *Completely pull the power cord out of the appliance or completely uncoil it upon operation.*

Safe handling

⚠ DANGER

- *Keep packaging films away from children, there is a risk of suffocation!*

⚠ WARNING

- *The appliance must not be operated by children or persons who have not been instructed accordingly.*
- *This appliance is not intended for use by persons with limited physical, sensory or mental capacities or lacking experience and/or skills, unless such persons are accompanied and supervised by a person in charge of their safety or they have received precise instructions on the use of this appliance and have understood the resulting risks.*
- *Children may only use this appliance if they are over the age of 8 and supervised by a person in charge of their safety, or if they have received instructions on the use of this*

appliance and have understood the resulting risks.

- *Children must not play with this appliance.*
- *Supervise children to prevent them from playing with the appliance.*
- *Cleaning and user maintenance must not be performed by children without supervision.*

⚠ CAUTION

- *In case of extended breaks, switch the appliance off at the main switch / appliance switch or pull the mains plug.*
- *Never leave the appliance unattended as long as it is in operation.*
- *Switch off the appliance after every use and prior to every cleaning / maintenance and pull the mains plug.*

ATTENTION

- *Never vacuum without a filter, otherwise the appliance can get damaged.*
- *Protect the appliance from extreme weather conditions, moisture and heat.*

Other risks

⚠ DANGER

Risk of explosion!

- *The appliance may not be operated in explosive atmospheres.*
- *Do not vacuum up explosive or combustible gases, fluids and dusts!*
- *Do not vacuum up reactive metal dusts (e.g. aluminium, magnesium or zinc!)*
- *Do not vacuum up undiluted acids or brines!*
- *Do not vacuum up burning or smouldering objects!*

⚠ WARNING

Risk of injury!

- *Do not vacuum in the vicinity of the head when using the nozzle and suction pipe.*

⚠ CAUTION

- *In order to prevent accidents or injuries, mind the weight of the appliance during transport (see technical data).*

Stability

⚠ CAUTION

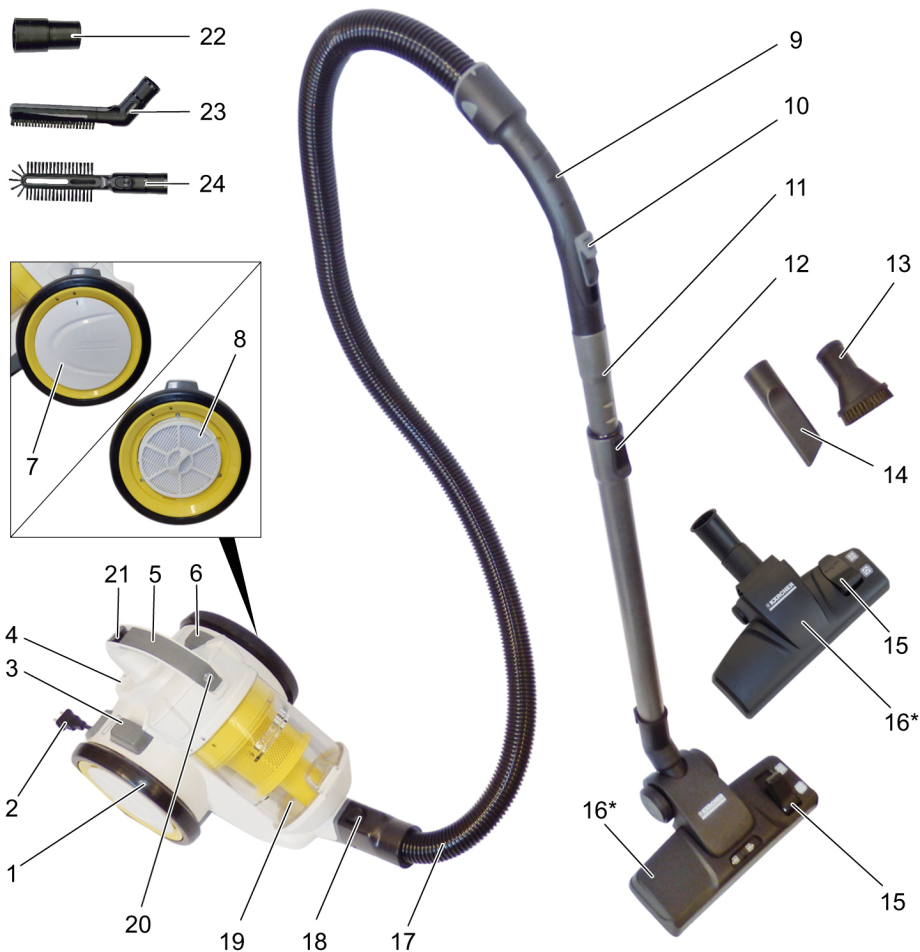
- *Create stability for the appliance prior to any work on or with the appliance to prevent accidents or damage.*

Safety Devices

⚠ CAUTION

- *Safety installations serve the protection of the user and may not be modified or bypassed.*

Description of the Appliance



- 1 Running wheels
- 2 Mains plug
- 3 Push button take-up cable
- 4 Parking position
- 5 Carrying handle
- 6 On/Off button
- 7 Cover HEPA filter
- 8 HEPA filter
- 9 Handle
- 10 Suction control
- 11 Telescopic suction pipe
- 12 Adjustable telescopic suction pipe
- 13 Furniture brush

- 14 Crevice nozzle
- 15 Switch lever
- 16 Floor nozzle
- * depending on model
- 17 Suction hose
- 18 Hose release button
- 19 Dust container
- 20 Dust container lock
- 21 Dust bin release button
- 22 Adapter
- 23 Deep cleaning brush
- 24 Cabinet and radiator brush

Operation

Start up

Illustration 1

- Snap the suction hose hub into the suction opening.
- For removal, compress the latch and pull off the suction hose hub.

Illustration 2

- Connect handle and suction tube and insert.
- Connect the floor nozzle and telescopic suction pipe and insert.

Illustration 3

- Use the adjustment of the telescopic suction pipe and adjust the telescopic suction pipe to the desired length.

Illustration 4

- For parking or during short breaks, hook the floor nozzle into the park bracket at the rear of the unit.

Illustration 5

- Hold the mains cable on the plug and pull it out. Insert the mains plug into a socket.

Illustration 6

- Turn on the machine.

Illustration 7

- The power suction adjustment is at the power suction control:
 - Suction control open, little suction power
 - Suction control closed, high suction power

Adjust the suction power to suit the suction requirement.

- **Low suction power** – for laced curtains, textiles, upholstered furniture, cushions
 - **Medium suction power** – for slightly dirty carpets/ carpeted floors, precious carpets.
 - **Highest suction power** – for hard floors, very dirty carpets and carpeted floors
- Empty dust container when the marking -MAX- is reached at the latest.
See Chapter "Emptying the dust container".

Important notice! The appliance will shutdown automatically, if there is danger of overheating. Turn the appliance off and pull the power plug. Ensure that the floor nozzle, the telescopic suction pipe or the suction hose is not clogged or check if the filter must be changed. After the elimination of the disturbance, allow the appliance to cool down for a at least 1 hour; then the appliance is ready for operation again.

Suction using accessories

Using accessories

- **Furniture brush:** for cleaning furniture and delicate objects with care, dusting books, air vents in the car, etc.
- **Crevice nozzle:** for edges, joints and heaters
- **Adapter:** for connecting brush with appliance
- **Deep cleaning brush:** for cleaning dust and hairs under furniture and appliances.
For removing dust and dirt from the crevice between furniture and wall.
- **Cabinet and radiator brush:** for cleaning cabinets, couches, radiators, shutters, etc.

Replace the Accessories

Illustration 8

- Insert the handle in the desired accessory until the stop.

Note: The accessories can also be used when the telescopic suction pipe is attached.

Reversible floor nozzle

Illustration 9

- **Carpets and carpeted floors:**
Select the following switch setting:



Illustration 10

- **Hard surfaces:**
Select the following switch setting:



Finish operation

Illustration 11

- Turn off the appliance and disconnect the mains plug.

Illustration 12

- Push the take-up cable button. The cable will pull itself automatically into the appliance.

Illustration 4

- Hang the floor nozzle on the backside of the appliance into the parking holder, and push into the pause position.

Transport, storage

- Hold the appliance at the carrying handle when you want to transport it and store it in dry rooms.
Note: It is recommended that you first completely push in the telescopic suction pipe.

Cleaning and care

ATTENTION

- Before working on the appliance, switch it off and pull out the plug of the vacuum cleaner!
- Only use the device when all filters and the dust container are installed.
- Otherwise the motor can get damaged.
- Defective filters and filters that can no longer be cleaned must be replaced.

Emptying the dust container

Illustration 13

Empty dust container when the marking -MAX- is reached at the latest.

Illustration 14

- Push the lock and remove the dust container.

Illustration 15

- Hold the dust container over a dust bin. Operate the locking lever.
- As soon as the dust container is empty, close the cover, the lock snaps into place.
- Place the dust container into the device and snap it into place.

Note

Ensure the correct seating of the dust container upon insertion.

Cleaning the cyclone separator

Clean the cyclone separator in case of coarse soiling.

Illustration 14

- Push the lock and remove the dust container.

Illustration 16

- Turn the cover of the dust container in the counter-clockwise direction so that the marking points to the unlocking symbol.

- Remove dust container.

Illustration 17

For quick cleaning

- Clean the cyclone separator by using a soft sponge and wipe with a moist cloth.

Illustration 18

For thorough cleaning:

- Disassemble the cyclone separator and clean the sieve and ring under running water.

Note

The dust container can also be cleaned under running water.

ATTENTION

- Do not immerse the cyclone separator into water.
- Do not wash the parts using detergents or boiling water.
- Allow the cyclone separator and the dust container to dry completely before installing it in the device.

Illustration 16

- Turn the cover of the dust container in the clockwise direction so that the marking points to the locking symbol.
- Place the dust container into the device and snap it into place.

Cleaning the motor protection filter

Wash the motor protection filter on a weekly basis or in case of visible soiling.

The motor protection filter is located in the casing above the dust container.

Illustration 14

- Push the lock and remove the dust container.

Illustration 19

- Unlatch the lock and open the cover.
- Remove the motor protection filter.

Illustration 20

- Remove the foam inlay from the frame.
- Wash foam inlay in warm water (max. 40°C).
- Thoroughly rinse the foam inlay and allow it to air-dry.

ATTENTION

- Never clean the foam inlay in the washing machine and do not dry it by means of a hair dryer.
- Do not wash the parts using detergents or boiling water.
- Allow the foam inlay to dry completely before installing it in the device (at least 24 hours).
- Insert the motor protection filter with the foam inlay into the top part of the dust container.
- Snap in the cover.
- Place the dust container into the device and snap it into place.

HEPA filter

Filter for pure blower air.

Note

- Clean the HEPA filter in case of visible soiling.
- Replace the HEPA filter in case of damage

ATTENTION

Material damage due to incorrect cleaning of the HEPA filter.

- When necessary, clean under running water only, do not wipe or brush down.
- Never clean the filter in the washing machine and do not dry it by means of a hair dryer.
- Do not wash the parts using detergents or boiling water.
- Allow the filter to dry completely before installing it in the device (at least 24 hours).

Illustration 21

- Turn the cover in the counter-clockwise direction so that the marking points to the unlocking symbol.
- Remove the HEPA-filter.
- Rinse the HEPA filter under cold, running water.
- Shake the filter carefully after cleaning so that any residual dirt or excess water is removed.
- Allow the HEPA filter to be air-dried by light and heat sources. Only reinstall the dry HEPA filter into the appliance.
- Turn the cover in the clockwise direction so that the marking points to the locking symbol.

Cleaning the accessories

Illustration 22

- Handle and suction tube can be disconnected in order to clean or if clogged. Push the 2 interlocks and pull apart.
- Connect handle and suction tube and insert.

Technical specifications

Type		1.198-126.0	1.198-127.0	1.198-128.0	1.198-133.0
Voltage	V	220	220-240	220-240	220-240
Current type	Hz	50	50~60	50~60	50~60
Protective class		II	II	II	II
Weight (without accessories)	kg	4,4	4,4	4,4	4,4
Action radius	m	7,5	7,5	7,5	7,5
Actual dust container volume	l	0,9	0,9	0,9	0,9
Dimensions					
Length	mm	396	396	396	396
Width	mm	270	270	270	270
Height	mm	332	332	332	332
Rated power input	W	1000	1100	1100	1100
Vacuum	kPa	≥ 18	≥ 19	≥ 19	≥ 19
HEPA filter		HEPA 12	HEPA 12	HEPA 12	HEPA 13
Sound power level L_{WA}	dB(A)	78	78	78	78

Subject to technical modifications!

Оглавление

Общие указания	RU	5
Описание прибора	RU	10
Управление	RU	11
Чистка и обслуживание	RU	12
Технические данные	RU	14

Уважаемый покупатель!



Перед первым применением вашего прибора прочитайте эту оригинальную инструкцию по эксплуатации, после этого действуйте соответственно и сохраните ее для дальнейшего пользования или для следующего владельца.

Общие указания

Использование по назначению

Данный универсальный пылесос предназначен для использования в домашнем хозяйстве, он не подходит для промышленного использования.

Изготовитель не несет ответственности за повреждения, полученные в результате использования не по назначению или неправильного обращения с прибором.

Использовать универсальный пылесос только с:

- оригинальными запчастями, стандартными или специальными принадлежностями.

Запрещается использовать универсальный пылесос для:

- чистки людей и животных.
- Всасывание: насекомых (например мух, пауков и т.д.), вредных для здоровья веществ, острых, горячих или раскаленных предметов, мокрых предметов или жидкостей, легковоспламеняющихся или взрывчатых веществ и газов.

Охрана окружающей среды



Упаковочные материалы пригодны для вторичной обработки. Поэтому не выбрасывайте упаковку вместе с домашними отходами, а сдайте ее в один из пунктов приема вторичного сырья.



Старые приборы содержат ценные перерабатываемые материалы, подлежащие передаче в пункты приемки вторичного сырья. Поэтому утилизируйте старые приборы через соответствующие системы приемки отходов.

Инструкции по применению компонентов (REACH)

Актуальные сведения о компонентах приведены на веб-узле по следующему адресу:

www.kaercher.com/REACH

Утилизация фильтров для пыли

Фильтры для пыли изготовлены из экологически безвредных материалов.

Если они не содержат никаких веществ, которые запрещены для утилизации домашнего мусора, они могут быть утилизированы с обычным домашним мусором.

Гарантия

В каждой стране действуют соответственно гарантийные условия, изданные уполномоченной организацией сбыта нашей продукции в данной стране. Возможные неисправности прибора в течение гарантийного срока мы устраняем бесплатно, если причина заключается в дефектах материалов или ошибках при изготовлении. В случае возникновения претензий в течение гарантийного срока просьба обращаться, имея при себе чек о покупке, в торговую организацию, продавшую вам прибор или в ближайшую уполномоченную службу сервисного обслуживания.

Дата выпуска отображается на заводской табличке в закодированном виде.

При этом отдельные цифры имеют следующее значение::

Пример: 30190

- 3 год выпуска
- 0 столетие выпуска
- 1 десятилетие выпуска
- 9 вторая цифра месяца выпуска
- 0 первая цифра месяца выпуска

Таким образом, в данном примере код 30190 означает дату выпуска 09 (2)013.

Сервисная служба

Филиал фирмы KARCHER с удовольствием ответит на ваши вопросы и окажет содействие при устранении неисправностей в приборе. Адрес указан на обороте

Запасные части

Используйте оригинальные принадлежности и запчасти — только они гарантируют безопасную и бесперебойную работу устройства.

Информацию о принадлежностях и запчастях вы можете найти на сайте www.kaercher.com.

Комплект поставки

Комплектация прибора указана на упаковке. При распаковке прибора проверить комплектацию.

При обнаружении недостающих принадлежностей или повреждений, полученных во время транспортировки, следует уведомить торговую организацию, продавшую прибор.

Указания по технике безопасности

- Перед вводом аппарата в эксплуатацию следует ознакомиться с руководством по эксплуатации данного аппарата и, в особенности, обратить внимание на указания по технике безопасности.
- Предупредительные и указательные таблички, прикрепленные к прибору, содержат важную информацию, необходимую для безопасной эксплуатации прибора.
- Наряду с указаниями по технике безопасности, содержащимися в руководстве по эксплуатации, необходимо также соблюдать общие положения законодательства по технике безопасности и предотвращению несчастных случаев.

Степень опасности

△ ОПАСНОСТЬ

Указание относительно непосредственно грозящей опасности, которая приводит к тяжелым увечьям или к смерти.

△ ПРЕДУПРЕЖДЕНИЕ

Указание относительно возможной потенциально опасной ситуации, которая может привести к тяжелым увечьям или к смерти.

△ ОСТОРОЖНО

Указание на потенциально опасную ситуацию, которая может привести к получению легких травм.

ВНИМАНИЕ

Указание относительно возможной потенциально опасной ситуации, которая может повлечь материальный ущерб.

Электрические компоненты

△ ОПАСНОСТЬ

Опасность поражения электрическим током.

- При проведении любых работ по уходу и техническому обслуживанию прибор следует выключить, а сетевой шнур - вынуть из розетки.
- Ремонтные работы и работы с электрическими узлами могут производиться только уполномоченной службой сервисного обслуживания.
- Перед началом работы с аппаратом проверить сетевой соединительный кабель и штепсельную вилку на повреждения. Поврежденный сетевой соединительный кабель должен быть незамедлительно заменен уполномоченной службой сервисного обслуживания/специалистом-электриком. Не эксплуатировать устройство с

поврежденным сетевым соединительным кабелем.

- **!Не применять абразивные средства, средства для чистки стекла или универсальные чистящие средства!**
- **Не погружать устройство в воду!**
- **Не переносить / транспортировать устройство за сетевой кабель.**
- **Следите за тем, чтобы сетевой кабель не защемлялся и не терся об острые края.**
- **Не вытягивать сетевую штепсельную вилку из розетки, потянув за сетевой кабель.**

△ ПРЕДУПРЕЖДЕНИЕ

- **Устройство можно подключать только к элементу электроподключения, исполненному электромонтером в соответствии со стандартом Международной электротехнической комиссии (МЭК) IEC 60364.**
- **Прибор следует включать только в сеть переменного тока. Напряжение сети должно соответствовать напряжению, указанному на заводской табличке.**
- **Из соображений безопасности рекомендуется использовать устройство с автоматом защиты от тока утечки (макс. 30 мА).**

- **При эксплуатации сетевой кабель полностью вытянуть / размотать из устройства.**

Безопасное обслуживание

△ ОПАСНОСТЬ

- **Упаковочную пленку держать вдали от детей, существует опасность удушья!**

△ ПРЕДУПРЕЖДЕНИЕ

- **Эксплуатация прибора детьми или лицами, не прошедшими инструктаж, запрещается.**
- **Данное устройство не предназначено для использования людьми с ограниченными физическими, сенсорными или умственными возможностями, а также лиц с отсутствием опыта и/или отсутствием необходимых знаний, за исключением случаев, когда они находятся под надзором ответственного за безопасность лица или получают от него указания по применению устройства, а также осознают вытекающие отсюда риски.**
- **Допускается применение устройства детьми, достигшими 8-летнего возраста и находящимися под присмотром лица, ответственного за их безопасность, или получившими инструкции о применении**

устройства от такого лица, а также осознанными вытекающие отсюда риски.

- Не разрешайте детям играть с устройством.
- Следить за тем, чтобы дети не играли с устройством.
- Не разрешайте детям проводить очистку и обслуживание устройства без присмотра.

⚠ ОСТОРОЖНО

- Во время продолжительных перерывов в работе следует выключить устройство с помощью главного выключателя / приборного выключателя или отсоединить его от электросети.
- Запрещается оставлять работающее устройство без присмотра.
- Устройство следует отключать после каждого применения и перед каждым проведением очистки / технического обслуживания, а сетевую штепсельную вилку вытягивать.

ВНИМАНИЕ

- Никогда не производить всасывание без фильтра, иначе устройство может быть повреждено.
- Защищать устройство от неблагоприятных по-

годных условий, влаги и жары.

Прочие опасности

⚠ ОПАСНОСТЬ

Опасность взрыва!

- Эксплуатация устройства во взрывоопасных зонах запрещается.
- Не всасывать взрывчатых или горючих газов, жидкостей и пыли!
- Не всасывать пыль металлов, вступающих в химические реакции (например, алюминий, магний или цинк)!
- Не всасывать неразбавленные кислоты или щелочи!
- Не допускать всасывания горящих или тлеющих предметов!

⚠ ПРЕДУПРЕЖДЕНИЕ

Опасность получения травм!

- Не производить всасывание с помощью насадки и всасывающей трубки вблизи головы.

⚠ ОСТОРОЖНО

- Во избежание несчастных случаев или травмирования, при транспортировке необходимо принять во внимание вес устройства (см. раздел "Технические данные").

Коэффициент устойчивости

△ ОСТОРОЖНО

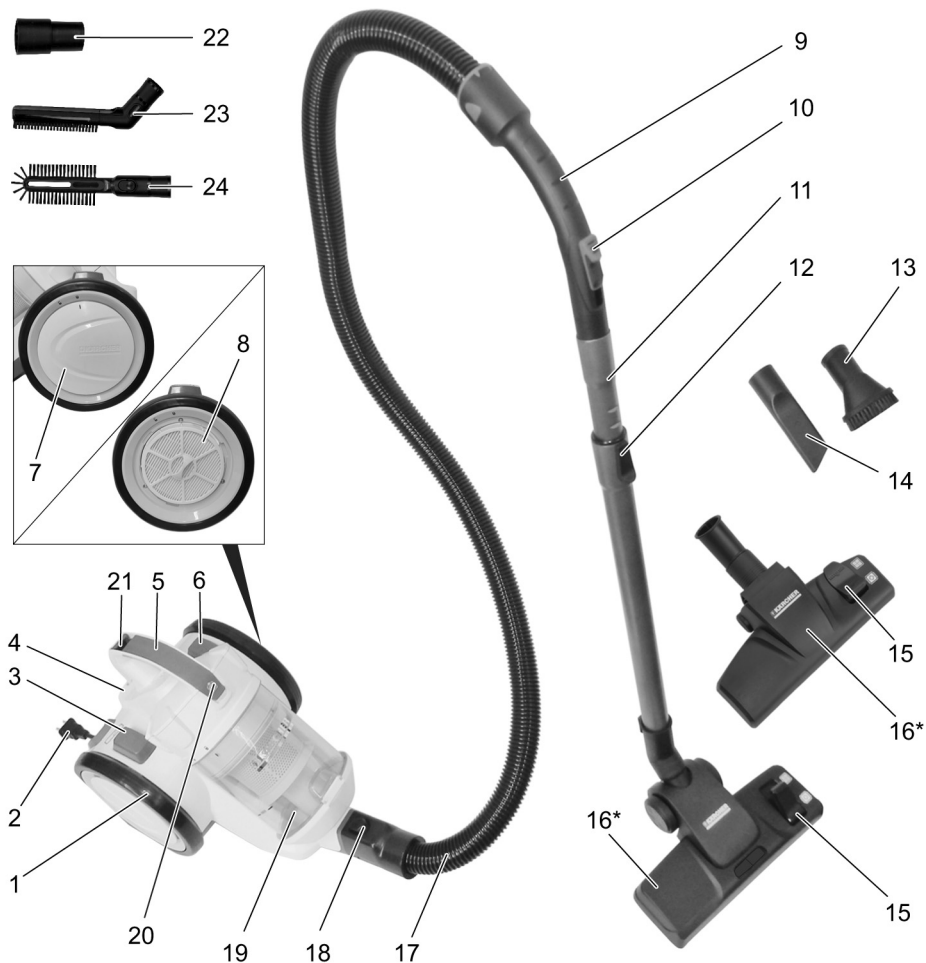
- *Перед выполнением любых действий с устройством или у устройства необходимо обеспечить устойчивость во избежание несчастных случаев или повреждений в результате опрокидывания устройства.*

Защитные устройства

△ ОСТОРОЖНО

- *Защитные устройства служат для защиты пользователей. Видоизменение защитных устройств или пренебрежение ими не допускается.*

Описание прибора



- | | | | |
|----|---|---------------------------------|---|
| 1 | Ходовые колеса | 15 | Рычаг переключения |
| 2 | штпсельная вилка | 16 | Форсунка для чистки пола |
| 3 | Кнопка смотки кабеля | * в зависимости от комплектации | |
| 4 | Парковочное положение | 17 | Всасывающий шланг |
| 5 | Рукоятка для ношения прибора | 18 | Рычаг блокиратора, крышка пылесборного мешка / защитный фильтр мотора |
| 6 | Кнопка Вкл./Выкл. | 19 | Контейнер для сбора пыли |
| 7 | Кожух HEPA-фильтра | 20 | Замок контейнера для сбора пыли |
| 8 | HEPA-фильтр | 21 | Кнопка разблокировки контейнера для сбора пыли |
| 9 | рукоятка | 22 | Адаптер |
| 10 | Регулятор мощности всоса | 23 | Щетка глубокой очистки |
| 11 | Телескопическая всасывающая труба | 24 | Щетка для шкафов и радиаторов отопления |
| 12 | Регулировка телескопической всасывающей трубы | | |
| 13 | Щеточка для мебели | | |
| 14 | Насадка для стыков | | |

Управление

Ввод в эксплуатацию

Рисунок 1

- Вставить патрубок всасывающего шланга во всасывающее отверстие до щелчка.
- Для снятия сжать защелку и извлечь патрубок всасывающего шланга.

Рисунок 2

- Собрать вместе рукоятку и телескопическую всасывающую трубку и защелкнуть.
- Собрать вместе насадку для пола и телескопическую всасывающую трубку и защелкнуть.

Рисунок 3

- Нажать регулятор телескопической всасывающей трубки и настроить нужную длину трубки.

Рисунок 4

- Для хранения или во время коротких перерывов в работе навесить насадку для пола в парковочное крепление, расположенное на обратной стороне прибора.

Рисунок 5

- Извлечь сетевой кабель из розетки, удерживая за штепсельную вилку. Вставить штепсельную вилку в розетку.

Рисунок 6

- Выключите прибор.

Рисунок 7

- Мощность всасывания настраивается на регуляторе мощности всасывания:
 - регулятор открыт – слабая мощность всасывания
 - регулятор закрыт – сильная мощность всасывания

Настроить мощность всасывания в зависимости от ситуации:

- **Низкая мощность всасывания** – для гардин, текстильных изделий, мягкой мебели, подушек
- **Средняя мощность всасывания** – для легко загрязненных ковров /ковровых покрытий, высококачественных ковров, дорожек и половиков
- **Самая высокая мощность всасывания** – для твердых напольных покрытий, сильно загрязненных ковров и ковровых покрытий

- Опорожнить контейнер для сбора пыли, как только уровень заполнения достигнет отметки MAX. См. главу «Опорожнение контейнера для сбора пыли».

Важное указание! Устройство автоматически отключается при опасности перегрева. Выключить прибор и извлечь штепсельную вилку из розетки. Следует проверить, что насадка для пола, телескопическая всасывающая трубка или всасывающий шланг не забыты и необходимо ли поменять фильтр. После устранения неисправности дать остыть прибору не менее 1 часа, после этого он станет вновь готовым к работе.

Использование принадлежностей

Использование насадок

- **Кисточка для мебели:** для щадящей очистки мебели и деликатных предметов, очистки книг, вентиляционных щелей в авто и т.д.
- **Щелевая насадка:** для кромок, щелей и радиаторов отопления
- **Адаптер:** для подсоединения щетки к устройству
- **Щетка глубокой очистки:** для очистки от пыли и волос под мебелью и приборами. Для удаления пыли и грязи из щелей между мебелью и стеной.
- **Щетка для шкафов и радиаторов отопления:** для очистки шкафов, диванов, радиаторов отопления, ставней и т.п.

Смена насадок

Рисунок 8

- Вставить до упора рукоятку в нужную насадку.
- Примечание:** насадку можно также использовать с надетой телескопической всасывающей трубкой.

Переключающаяся форсунка для пола

Рисунок 9

- **Ковры и ковровые покрытия:** Положения переключателя выбрать следующим образом:



Рисунок 10

- **Жесткие поверхности:** Положения переключателя выбрать следующим образом:



Окончание работы

Рисунок 11

- Выключить прибор и вытащить сетевую вилку.

Рисунок 12

- Нажать кнопку смотки кабеля. Кабель автоматически втягивается в прибор.

Рисунок 4

- Навесить половую насадку в парковочное положение на задней стенке прибора и надавить для фиксации в положении.

Транспортировка, хранение

- При транспортировке держите прибор за ручку и сохраняйте в сухом помещении.
- Указание:** Рекомендуется предварительно полностью убирать телескопическую всасывающую трубу

Чистка и обслуживание

ВНИМАНИЕ

- Перед проведением любых работ с прибором, выключить прибор и вытянуть штепсельную вилку пылесоса!
- Использовать прибор только в том случае, если установлены все фильтры и контейнер для сбора пыли.
В противном случае может быть поврежден двигатель.
- Поврежденные фильтры и фильтры, которые больше не поддаются чистке, следует заменить.

Опорожнение контейнера для сбора пыли

Рисунок 13

Опорожнить контейнер для сбора пыли, как только уровень заполнения достигнет отметки MAX.

Рисунок 14

- Нажать на замок и достать контейнер для сбора пыли.

Рисунок 15

- Держать контейнер над мусорным ведром. Нажать рычаг блокировки.
- После опорожнения контейнера закрыть крышку, замок защелкнется.
- Вставить контейнер в прибор и защелкнуть.

Примечание

При установке следить за правильным положением контейнера для сбора пыли.

Чистка центробежного сепаратора

Почистить центробежный сепаратор при сильном загрязнении.

Рисунок 14

- Нажать на замок и достать контейнер для сбора пыли.

Рисунок 16

- Повернуть крышку контейнера против часовой стрелки, чтобы метка указывала на символ разблокировки.
- Снять контейнер для сбора пыли.

Рисунок 17

Для быстрой очистки:

- Центробежный сепаратор почистить мягкой губкой и протереть влажной тканью.

Рисунок 18

Для тщательной очистки:

- Разобрать центробежный сепаратор и помыть сетчатый фильтр и кольцо под проточной водой.

Примечание

Контейнер для сбора пыли также можно помыть под проточной водой.

ВНИМАНИЕ

- Не погружать центробежный сепаратор в воду.
- Не мыть детали моющим средством или кислотом.
- Перед установкой в прибор полностью высушить центробежный сепаратор и контейнер для сбора пыли.

Рисунок 16

- Повернуть крышку контейнера по часовой стрелке, чтобы метка указывала на символ блокировки.
- Вставить контейнер в прибор и защелкнуть.

Чистка фильтра защиты двигателя

Фильтр защиты двигателя промывать каждую неделю или при видимом загрязнении.

Фильтр защиты двигателя находится в корпусе над контейнером для сбора пыли.

Рисунок 14

- Нажать на замок и достать контейнер для сбора пыли.

Рисунок 19

- Разблокировать замок и открыть крышку.
- Вынуть фильтр защиты двигателя.

Рисунок 20

- Снять с рамки поролоновый фильтр.
- Помыть поролоновый фильтр в теплой воде (макс. 40°C).
- Тщательно прополоскать поролоновый фильтр и высушить на воздухе.

ВНИМАНИЕ

- *Запрещено стирать поролоновый фильтр в стиральной машине и сушить феном.*
- *Не мыть детали моющим средством или кислотом.*
- *Перед установкой в прибор поролоновый фильтр тщательно высушить (в течение мин. 24 часов).*
- Вставить фильтр защиты двигателя с поролоновым фильтром в верхнюю часть контейнера для сбора пыли.
- Защелкнуть крышку.
- Вставить контейнер в прибор и защелкнуть.

HEPA-фильтр

Фильтр для очистки выдуваемого воздуха.

Примечание

- Почистить HEPA-фильтр при сильном загрязнении.
- Замена HEPA-фильтра при повреждении

ВНИМАНИЕ

Материальный ущерб в результате неправильной очистки HEPA-фильтра.

- *В случае необходимости провести очистку под струей воды. Не вытирать и не чистить с применением щетки.*
- *Запрещено стирать фильтр в стиральной машине и сушить феном.*
- *Не мыть детали моющим средством или кипятком.*
- *Перед установкой в прибор фильтр тщательно высушить (в течение мин. 24 часов).*

Рисунок 21

- Повернуть крышку против часовой стрелки, чтобы метка указывала на символ разблокировки.
- Достать HEPA-фильтр.
- Промойте HEPA-фильтр в холодной, проточной воде.
- После очистки осторожно встряхните фильтр для удаления остатков грязи и воды.
- Сушить HEPA-фильтр следует на воздухе вдали от источников света и тепла. Вставлять в прибор только высушенный HEPA-фильтр.
- Повернуть крышку по часовой стрелке, чтобы метка указывала на символ блокировки.

Чистка принадлежностей

Рисунок 22

- Рукоятку и всасывающий шланг для чистки или в случае засора можно отделить. Для этого нажать 2 блокиратора и разъединить
- Для соединения рукоятку состыковать со всасывающим шлангом и зафиксировать.

Технические данные

Тип		1.198-126.0	1.198-127.0	1.198-128.0	1.198-133.0
Напряжение	V	220	220-240	220-240	220-240
Вид тока	Гц	50	50~60	50~60	50~60
Класс защиты		II	II	II	II
Вес без (принадлежностей)	кг	4,4	4,4	4,4	4,4
Радиус действия	м	7,5	7,5	7,5	7,5
Объем контейнера для сбора пыли, эффективный	л	0,9	0,9	0,9	0,9
Габариты					
Длина	мм	396	396	396	396
Ширина	мм	270	270	270	270
высота	мм	332	332	332	332
Номинальная потребляемая мощность	Вт	1000	1100	1100	1100
Вакуум мин.	кПа	≥ 18	≥ 19	≥ 19	≥ 19
HEPA-фильтр		HEPA 12	HEPA 12	HEPA 12	HEPA 13
Уровень шума L _{WA}	дБ(А)	78	78	78	78

Изготовитель оставляет за собой право внесения технических изменений!

Мазмұны

Жалпы нұсқаулар	KK	5
Бұйым сипаттамасы	KK	9
Қолдану	KK	10
Тазалау және техникалық қызмет көрсету	KK	11
Техникалық мағлұматтар	KK	13

Құрметті тұтынушы,



Бұйымды алғашқы қолдану алдында пайдалану нұсқауын мұқият оқып шығыңыз, нұсқауларды орындап, кейінгі пайдалану үшін немесе осы аппаратты кейін пайдаланатын тұлғалар үшін сақтап қойыңыз.

Жалпы нұсқаулар

Бұйымды мақсатына сәйкес қолдану

Dieser Universalstaubsauger ist für den privaten Gebrauch im Haushalt und nicht für gewerbliche Zwecke bestimmt.

Өндіруші бұйымды мақсатына сай емес қолдану немесе қате түрде қолданудан пайда болатын зияндар үшін жауапкершілік көтермейді.

Әмбебап шаңсорғышты тек төмендегілермен пайдалануға болады:

- Түпнұсқалы қосалқы бөлшектер, керек-жарақтар не тапсырыс бойынша берілетін керек-жарақтар.

Әмбебап шаңсорғыш төмендегілерге **арналмаған**:

- Адамдар не жануарларды шаңсорғылау.
- Келесілерді шаңсорғылау:
Микроағзалар (мысалы, шыбындар, еркекшілер және т.б.).
Денсаулық үшін зиянды, өткір, ыстық не жанғыш заттар.
Ылғалды не сұйық заттар.
Тез тұтанғыш немесе жаныш заттар мен газдар.

Қоршаған ортаны қорғау



Қаптау материалдары екінші өңдеуге жарамды. Қаптаманы үй қоқысына лақтырмауыңызды сұраймыз, оларды екінші өңдеу үшін бөлек қойыңыз.

Өз мерзімін аяқтаған құралдарда бағалы, екінші өңдеуге жарамды материалдар бар.

Сондықтан қолданылған және ескі бұйымдарды арнайы іріктеп жинау жүйелері арқылы қалдықтарға тапсыруыңыз лазым.

Құрамындағы заттар туралы анықтамалар (REACH)

Бұйымның құрамындағы заттар туралы соңғы мағлұматтарды астыда көрсетілген интернет беттерімізде оқи аласыз:

www.kaercher.com/REACH

Шаң сүзгілерін кәдеге жарату

Шаң сүзгісі қоршаған ортаға зиян келтірмейтін материалдардан өндірілген.

Егер үй қалдықтары үшін рұқсат етілмеген заттар жоқ болса, қалыпты үй қалдықтарымен бірге тастауға болады.

Кепілдеме

Бұйымдарымыз үшін әр елде жауапты өтім серіктестеріміз тарапынан шығарылатын кепілдеме шарттары күште болады. Егер материалдардың ақаулығы немесе дайындау барысындағы қателіктер табылса, біз ықтимал ақаулықтарды кепіл мерзімі ішінде ақысыз жөндейміз. Кепіл мерзімі ішінде наразылықтарыңыз болса, аспапты сатқан сауда мекемесіне немесе жақындағы өкілетті сервистік қызмет көрсету орнына сатып алу чегін көрсетіп, хабарласыңыз.

Өндірілген күні көрсетілген түр кестесінде шифрланған.

Жеке сандардың мағынасы келесідей болады:

Мысалы: 30190

- 3 Өндірілген жылы
- 0 Өндірілген ғасыры
- 1 Өндірілген онжылдық
- 9 Өндірілген айының екінші саны
- 0 Өндірілген айының бірінші саны

Сонымен бұл мысалда 30190 коды 09/(2)013 өндірілген күнін білдіреді.

Бұйым Қолданушыларға Қызмет Көрсету бөлімі

Сурақтарыңыз немесе кедергілер болған жағдайларда біздің KÄRCHER компаниясының өкілеттілігін мамандарымыз Өзіңізге өз көмектерің береді. Мекен-жайларды бетінің артқы жағына қараңыз.

Қосалқы бөлшектер

Тек түпнұсқа керек-жарақтар мен түпнұсқа қосалқы бөлшектерді қолданыңыз, себебі олар бұйымның қауіпсіз және ақаусыз жұмысына кепілдік береді. Керек-жарақтар мен қосалқы құралдар туралы ақпарат www.kaercher.com веб-сайтында қолжетімді.

Қаптама ішіндегі бөлшектер

Сіздің бұйымыңыздың жеткізілу көлемі қорапшада бейнеленген. Бұйым қорапшасын ашқанда қорапша ішіндегі бұйым мен бөлшектерінің толық және бұзылмаған түрде болғандығын тексеріп алыңыз. Егер кейбір жабдықтар жоқ болса немесе тасымалдау кезіндегі ақаулар болса, аппаратты сатқан фирманы хабардар етіңіз.

Қауіпсіздік туралы нұсқаулар

- Бұйымыңызды іске қосылу алдында қолдану туралы нұсқаулығын оқып алып, қауіпсіздік туралы нұсқауларына назар етіп отырып әрекет етіңіз.
- Бұйымдағы ескерту және нұсқау белгілер маңызды бұйымды қауіпсіз қолдану үшін нұсқауларды береді.
- Пайдалану нұсқауындағы ережелермен қоса, жалпы заңды қауіпсіздік және жазатайым оқиғаны алдын алу талаптарын сақтаған жөн.

Қауіп деңгейі

△ **ҚАУІП**

Ауыр жарақаттануға не өлімге апарып соғатын тікелей түрде түсе алатын тәуекелге нұсқау.

△ **ЕСКЕРТУ**

Ауыр жарақаттануға не өлімге апарып соғатын ықтимал қауіпті жағдайларға нұсқау.

△ **АБАЙЛАҢЫЗ**

Жеңіл жарақаттануға апарып соғатын ықтимал қауіпті жағдайға нұсқау.

НАЗАР АУДАРЫҢЫЗ

Материалдық зиянға апарып соғатын ықтимал қауіпті жағдайға нұсқау.

Электрлік құрамдастар

△ **ҚАУІП**

Электрлік токтың соғу қаупі.

- Құрылғыға қызмет көрсету және оны жөндеу алдында, құрылғыны өшіріп, қуат айырын ажыратыңыз.
- Жөндеу жұмыстары мен электрлік бөлшектер бойынша жұмыстар тек өкілетті қызмет көрсететін мамандар орындауы керек.
- Қуат сымы мен кабель ашасында әр қолданыс алдында зақымдардың бар-жоғын тексеріңіз. Зақымдалған қуыт сымын өкілетті қызмет көрсетуші/электрші мамандар дереу ауыстыруы тиіс. Қуыт сымы зақымдалған бұйымды қолданбаңыз.
- Тазалау пасталарын, әйнек тазалау бұйымдарын немесе универсалдық тазалау бұйымдарының қолданбауы тиіс!
- Суға батыруға болмайды!
- Бұйымды сымынан тартып ұстамаңыз / тасымалдамаңыз.
- Желілік кабельді өткір бүйірлерден тартып немесе қысып өткізуге болмайды.
- Бұйым ашасын электр розеткасынан желілік

кабелінен тартып ажыратпаңыз.

⚠ **ЕСКЕРТУ**

- Бұйымды тек электршінің IEC 60364 стандартына сәйкес қондырған электр розеткасына жалғауға болады.
- Бұйымды тек ауыспалы токқа жалғаңыз. Желілік кернеу параметрлері тақтайшада көрсетілген кернеумен сәйкес болуы қажет.
- Қауіпсіздікті қамтамасыз ету мақсатында бұйымды автоматты ажыратқыш (макс. 30 МА) арқылы қолдану қатаң ұсынылады.
- Пайдалану кезінде желілік кабельді бұйымнан толық шығару / жазып алу керек.

Қауіпсіз қолдану

⚠ **ҚАУІП**

- Қаптама қағазын балалардан аулақ ұстаңыз, тұншығып қалу қаупі бар!

⚠ **ЕСКЕРТУ**

- Балаларға немесе нұсқау берілген жоқ адамдарға бұл бұйымды пайдалануға болмайды.
- Бұл құрылғыны физикалық, сенсорлық немесе ақыл-ой дамуы шектелген немесе тәжірибесі және/немесе біліктілігі жоқ адамдар білікті маманның бақылауында болмаған кезде немесе осы

мамандар тарапынан бұйымды қолдану тәсілі және оған қатысты қауіптер түсіндірілмеген кезде пайдаланбауы тиіс.

- Балалар 8 жасан асқан жағдайда немесе олардың қауіпсіздігіне жауапты адам бақылауында немесе құрылғының қолдану тәсілімен және оған қатысты қауіптермен танысқан кезде ғана құрылғыны қолдана алады.
 - Балаларға құрылғымен ойнауға рұқсат бермеңіз.
 - Балаларға құрылғымен ойнауға жол бермеу үшін оларды бақылап отыру керек.
 - Балалар құрылғыны тек ересектердің бақылауында тазалауы және пайдалануы мүмкін.
- ### ⚠ **АБАЙЛАҢЫЗ**
- Ұзақ уақыт іске қосылмай тұрған жағдайда негізгі қосқышты/бұйым қосқышын басып бұйымды өшіріңіз және электрлік ашаны ажыратыңыз.
 - Бұйымды ешқашан қосулы күйінде қалдыруға болмайды.
 - Бұйымды әр пайдалану және тазалау/қызмет көрсетуден кейін өшіріңіз және электр ашасын шығарыңыз.

НАЗАР АУДАРЫҢЫЗ

- Сорғышты ешқашан филтрсіз пайдаланбаңыз, бұйым зақымдалуы мүмкін.
- Бұйымды жағымсыз ауа райы, ылғал және жоғары температура ықпалынан қорғау керек.

Басқа тәуекелдер

△ ҚАУІП

Жарылып кету қаупі!

- Жарылу қаупі бар жерлерде пайдалануға тыйым салынады.
- Жарылғыш немесе жанғыш газ, сұйықтықтарды және шаңды сорғытпаңыз!
- Реактивті металл шаңдарын (мысалы алюминий, магнезий, мырыш) сорғытпаңыз!
- Ерітілмеген қышқылдарды немесе сілтілерді сорғытпаңыз!
- Жанғыш немесе тұтанғыш заттар сормаңыз!

△ ЕСКЕРТУ

Жаралану қаупі!

- Шүмек пен сорғыш бас жағында сормады.

△ АБАЙЛАҢЫЗ

- Апаттар мен зақымдарды болдырмау үшін бұйымды тасымалдаған кезде салмағына назар аударыңыз (техникалық мәліметтерді қараңыз).

Тұрақтылық

△ АБАЙЛАҢЫЗ

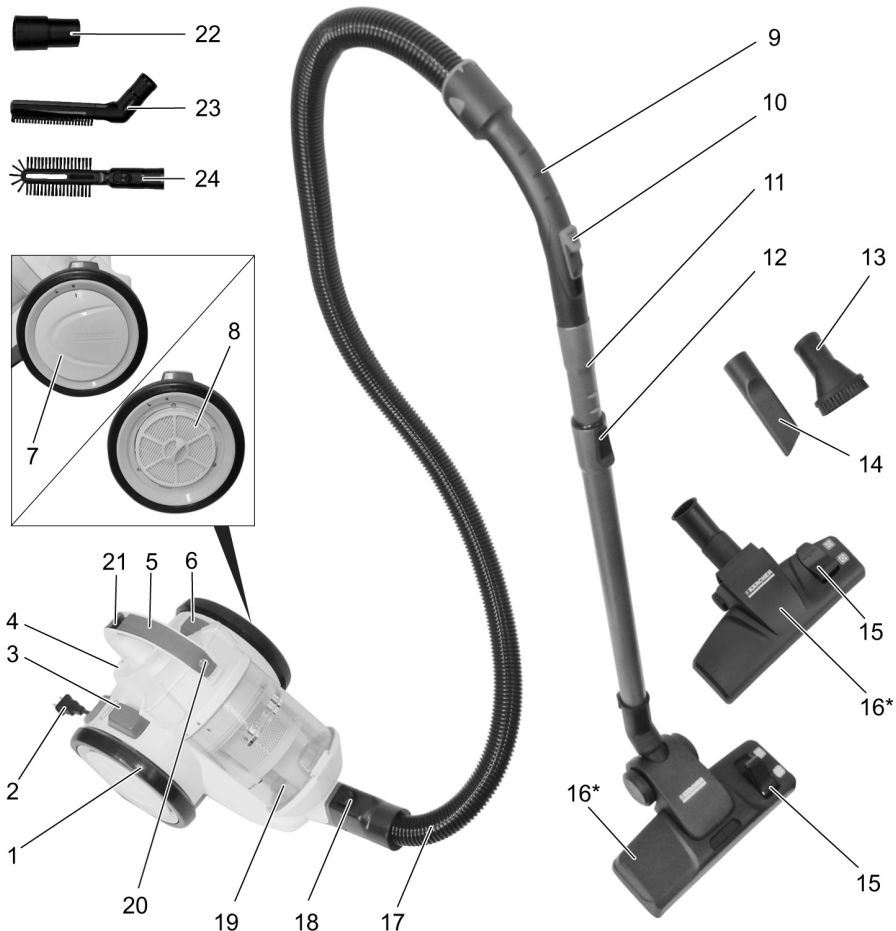
- Қауіпті жағдайлар мен бұйым зақымдалуының алдын алу үшін бұйымды пайдалану алдында қауіпсіздік шараларын сақтау қажет.

Қауіпсіздік құралдары

△ АБАЙЛАҢЫЗ

- Қауіпсіздік құралдарының мақсаты - қолданушыларды қауіптен сақтандыру, оларды өзгертуге немесе бақылаусыз қалдыруға болмайды.

Бұйым сипаттамасы



- 1 Жетекші дөңгелектер
- 2 Қуат ашасы
- 3 Кабельді орау түймесі
- 4 Тұрақ күйі
- 5 Тасымалдау тұтқасы
- 6 Қосу/өшіру түймесі
- 7 HEPA сүзгісінің қақпағы
- 8 HEPA сүзгісі
- 9 Ұстау тұтқасы
- 10 Сорғылау күшін реттегіш
- 11 Телескоп сорғыш түтігі
- 12 Телескоп сорғыш түтігі реттеуі
- 13 Жиһаз жаққышы
- 14 Саңылау шүмегі

- 15 Ауыстырып-қосу иінтірегі
- 16 Еден жууға арналған шүмегі
* жинақталуына байланысты
- 17 Сорғыш шлангі
- 18 Құлыптау иінтірегі, сүзгіш қап/қозғалтқыш қорғанысы сүзгісінің қақпағы
- 19 Шаң жинағыш
- 20 Шаң жинағыш құлпы
- 21 Шаң жинағыштың босату түймесі
- 22 Адаптер
- 23 Терең тазартқыш қылшақ
- 24 Шкаф пен батареяға арналған қылшақ

Қолдану

Бұйымды іске қосу

Сурет 1

- Сорғыш шлангінің штуцерін кіріс саңылауға енгізіңіз.
- Алып тастау үшін шектегішті бірге басып, сорғыш шлангіні тартып шығарыңыз.

Сурет 2

- Қол тұтқасы мен телескоп сорғыш түтігін бірге енгізіңіз және бекемдеңіз.
- Еден шүмегі мен телескоп сорғыш түтігін бірге енгізіңіз және бекемдеңіз.

Сурет 3

- Телескоп сорғыш түтігінің реттеуін іске қосыңыз және телескоп сорғыш түтігін қалаған ұзындыққа орнатыңыз.

Сурет 4

- Өшіру үшін немесе қысқа жұмыс кідірістерінде, еден шүмегін құрылғының артқы жағындағы тұрақ кронштейніне бекітіңіз.

Сурет 5

- Қуат кабелін ашасынан ұстап шығарыңыз. Қуат ашасын электр розеткасына салыңыз.

Сурет 6

- Бұйымды қосыңыз.

Сурет 7

- Сору күшін реттеу әрекеті сору күшінің реттегішінде орындалады:
 - Сору күшінің реттегіші ашық, сору күші төмен
 - Сору күшінің реттегіші жабық, сору күші жоғары

Сору күшін сорғылау жағдайына сай реттеу:

- **Төмен сору күші** – перделер, тоқымалар, жиһаз, жастықтарға арналған
- **Орташа сору күші** – жеңіл кірленген кілемдер/кілем қаптамалары, жоғары сапалы кілемдер мен кілем қаптамаларына арналған
- **Жоғарғы сору күші** – қатты едендер, қатты кірленген кілемдер мен кілем қаптамаларына арналған

- Шаң жинағышты кейін -МАХ- белгісіне дейін жеткен кезде босатыңыз.
«Шаң жинағышты босату» бөлімін қараңыз.

Маңызды нұсқау! Қатты қызу қауіп туындаған кезде бұйым автоматты түрде өшеді. Бұйымды өшіріңіз де, желілік ашаны тартып шығарыңыз. Еден шүмегі, телескоп сорғыш түтігі не сорғыш шлангінің кірленбегенін немесе сүзгіні ауыстыру қажеттілігін тексеріңіз. Ақаулықты жойғаннан кейін бұйымды кемінде 1 сағат салқындатыңыз да, бұйым жұмысқа дайын болады.

Керек-жарақтармен сорғылау

Керек-жарақтарды қолдану

- **Жиһаз жаққышы:** жиһаз бен сезімтал заттарды, кітаптардағы шанды, көліктегі желдету саңылауларын және т.б. мұқият тазалау үшін.
- **Қуыс саптамасы:** бұрыштар, жапсарлар және батареяларға арналған
- **Адаптер:** қылшақ пен құрылғыны байланыстыруға арналған
- **Терең тазартқыш қылшақ:** жиһаз бен құрылғылар астындағы шаң мен шашты тазалауға арналған. Жиһаз бен қабырға арасындағы бос қуыстан шаң мен кірді тазалауға арналған.
- **Шаф пен батареяға арналған қылшақ:** шафтар, дивандар, батареялар, терезе қапқатарын және т.б. тазалауға арналған.

Керек-жарақтарды ауыстыру

Сурет 8

- Қол тұтқасын қалаған керек-жараққа бекітілмегенше енгізіңіз.

Нұсқау: Керек-жарақты бекітілген телескоп сорғыш түтігімен де пайдалануға болады.

Ауыстырылатын еден саптамасы

Сурет 9

- **Кілемдер мен кілем қаптамалары:** Қосқыш күйі келесідей таңдалады:



Сурет 10

- **Қатты қабаттар:** Қосқыш күйі келесідей таңдалады:



Жұмысты аяқтау

Сурет 11

- Бұйымды өшіріп, ашаны тоқтан шығарып алыңыз.

Сурет 12

- Кабельді орау түймесін басыңыз. Кабель өз-өзімен автоматты түрде бұйымға тартылып қойылады.

Сурет 4

- Еден шүмегін бұйының артқы жағындағы тұрақ ұстағышына іліңіз және бекітілген күйге басыңыз.

Тасымалдау, сақтау

- Тасымалдау үшін бұйымды тасымалдау тұтқасынан ұстап, құрғақ жерде сақтау лазым.
Нұсқау: Телескоп сорғыш түтігін алдын ала орнату ұсынылады.

Тазалау және техникалық қызмет көрсету

НАЗАР АУДАРЫҢЫЗ

- Бұйымда кез келген жұмыстарды орындамас бұрын, бұйымды өшіріңіз және шаңсорғыштың қуат ашасын ажыратыңыз!
- Бұйымды тек барлық сүзгілер мен шаң жинағыштар орнатылған жағдайда ғана пайдаланыңыз. Өйтпесе қозғалтқышына зақым келуі мүмкін.
- Ақаулы сүзгілер мен тазалауға жарамсыз сүзгілерді ауыстыру керек.

Шаң жинағышты босату

Сурет 13

Шаң жинағышты кейін -MAX- белгісіне дейін жеткен кезде босатыңыз.

Сурет 14

→ Құлыпты басып, шаң жинағышты шығарып алыңыз.

Сурет 15

- Шаң жинағышты қоқыс себетінің үстінен ұстаңыз.
- Құлыптау иінтірегін басыңыз.
- Шаң жинағыш босатылған соң, құлып бекітілмегенше қақпақты жабыңыз.
- Шаң жинағышты бұйым ішіне салып бекітіңіз.

Нұсқау

Орнатқан кезде шаң жинағыштың дұрыс орналасқанына көз жеткізіңіз.

Циклондық айырғышты тазалау

Циклондық айырғышты қатты кірленген жағдайда тазалау керек.

Сурет 14

→ Құлыпты басып, шаң жинағышты шығарып алыңыз.

Сурет 16

→ Шаң жинағыштың қақпағын босату таңбасындағы белгі көрінетіндей етіп сағат бағытына қарсы айналдырыңыз.

→ Шаң жинағышты алып тастаңыз.

Сурет 17

Жылдам тазалау үшін:

→ Циклондық айырғышты жұмсақ ысқышпен тазалап, соңында ылғалды шүберекпен сүртіңіз.

Сурет 18

Мұқият тазалау үшін:

→ Циклондық айырғышты бөлшектеп, тор мен сақинасын ағынды судың астында тазалаңыз.

Нұсқау

Сондай-ақ, шаң жинағышты ағынды судың астында тазалауға болады.

НАЗАР АУДАРЫҢЫЗ

- Циклондық айырғышты суға батыруға болмайды.
- Бөлшектерін тазалағыш құралдармен немесе қайнаған суда жууға болмайды.

- Циклондық айырғыш пен шаң жинағышты бұйымға орнатпас бұрын толығымен құрғатыңыз.

Сурет 16

- Шаң жинағыштың қақпағын құлыптау таңбасындағы белгі көрінетіндей етіп сағат бағытымен айналдырыңыз.
- Шаң жинағышты бұйым ішіне салып бекітіңіз.

Қозғалтқыштың қорғаныс сүзгісін тазалау

Қозғалтқыштың қорғаныс сүзгісін апта сайын немесе кір көріне бастаған кезде жуып тазалаңыз. Қозғалтқыштың қорғаныс сүзгісі корпус ішінде, шаң жинағыштың үстінде орналасқан.

Сурет 14

→ Құлыпты басып, шаң жинағышты шығарып алыңыз.

Сурет 19

→ Құлыпты босатып, қақпақты ашыңыз.

→ Қозғалтқыштың қорғаныс сүзгісін шығарыңыз.

Сурет 20

- Пенопласт ендірмесін жақтаудан алып тастаңыз.
- Пенопласт ендірмесін жылы сумен жуып шығыңыз (макс. 40 °C).
- Пенопласт ендірмесін мұқият шайып, таза ауада кептіріңіз.

НАЗАР АУДАРЫҢЫЗ

- Пенопласт ендірмесін ешқашан кір жуу машинасында тазаламаңыз және фенмен кептірмеңіз.
- Бөлшектерін тазалағыш құралдармен немесе қайнаған суда жууға болмайды.
- Пенопласт ендірмесін бұйымға орнатпас бұрын толығымен құрғатыңыз (кем дегенде 24 сағат).
- Қозғалтқыштың қорғаныс сүзгісін пенопласт ендірмесімен бірге шаң жинағыштың жоғарғы жағына орнатыңыз.
- Қақпақты бекітіңіз.
- Шаң жинағышты бұйым ішіне салып бекітіңіз.

HEPA сүзгісі

Таза шығыс ауаға арналған сүзгі.

Нұсқау

- HEPA сүзгісін кірленгені көрінген жағдайда тазалау керек.
- Зақымдалған HEPA сүзгісін ауыстыру

НАЗАР АУДАРЫҢЫЗ

HEPA сүзгілерін қате тазалаудан пайда болатын мүліктің зақымдалуы.

- Қажет болғанда, тек ағынды су астында тазалаңыз, сүртпеңіз не қылшақпен тазартпаңыз.
- Сүзгіні ешқашан кір жуу машинасында тазаламаңыз және фенмен кептірмеңіз.
- Бөлшектерін тазалағыш құралдармен немесе қайнаған суда жууға болмайды.
- Сүзгіні бұйымға орнатпас бұрын толығымен құрғатыңыз (кем дегенде 24 сағат).

Сурет 21

- Қақпақты босату таңбасындағы белгі көрінетіндей етіп сағат бағытына қарсы айналдырыңыз.
- HEPA сүзгісін шығарып алыңыз.
- HEPA сүзгісін суық ағынды сумен жуыңыз.
- Тазалаудан кейін қоқыс қалдықтары мен қалған суды кетіру үшін, сүзгіні абайлап қағыңыз.
- HEPA сүзгісін жарық пен жылу көздерінен алшақ, таза ауада кептіріңіз. HEPA сүзгісін бұйым ішіне тек құрғақ күйінде енгізіңіз.
- Қақпақты құлыптау таңбасындағы белгі көрінетіндей етіп сағат бағытымен айналдырыңыз.

Керек-жарақтарды тазалау

Сурет 22

- Қол тұтқасы мен сорғыту шлангісін тазалау үшін не жұмыс кідірістерінде бөлшектеуге болады. Ол үшін 2 босатқышты басыңыз және тартыңыз.
- Байланыстыру үшін қол тұтқасы мен сорғыту шлангісін бірге енгізіңіз де, бекітіңіз.

Техникалық мағлұматтар

Түрі		1.198-126.0	1.198-127.0	1.198-128.0	1.198-133.0
Электр кернеуі	V	220	220-240	220-240	220-240
Электр тоқ түрі	Гц	50	50~60	50~60	50~60
Қорғау классы		II	II	II	II
Бұйымның керек-жарақтарсыз салмағы	кг	4,4	4,4	4,4	4,4
Өрекет радиусы	м	7,5	7,5	7,5	7,5
Шаң жинағыштардың тиімді көлемдері	л	0,9	0,9	0,9	0,9
Өлшемдер					
Ұзындығы	мм	396	396	396	396
Ені	мм	270	270	270	270
Биіктігі	мм	332	332	332	332
Тұтынылатын атаулы қуат	Вт	1000	1100	1100	1100
Вакуум мин.	кПа	≥ 18	≥ 19	≥ 19	≥ 19
HEPA сүзгісі		HEPA 12	HEPA 12	HEPA 12	HEPA 13
Дыбыс қуатының деңгейі L _{WA}	дБ(А)	78	78	78	78

Техникалық өзгерістер пайда болып қалуы мүмкін!

