

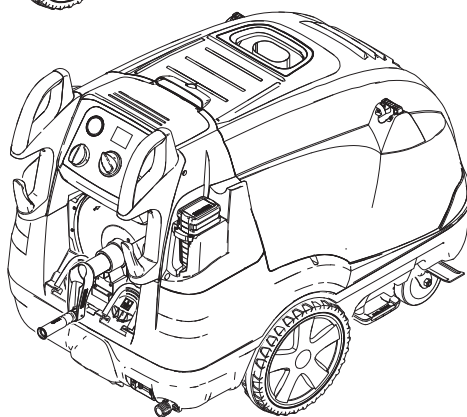
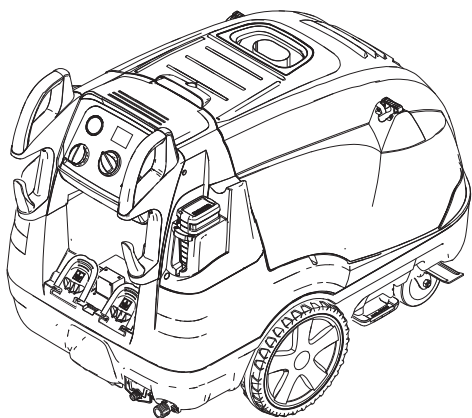
# KÄRCHER

makes a difference

## HDS 13/20-4 S/SX

English

Русский



**Register and win!**  
[www.kaercher.com/register-and-win](http://www.kaercher.com/register-and-win)

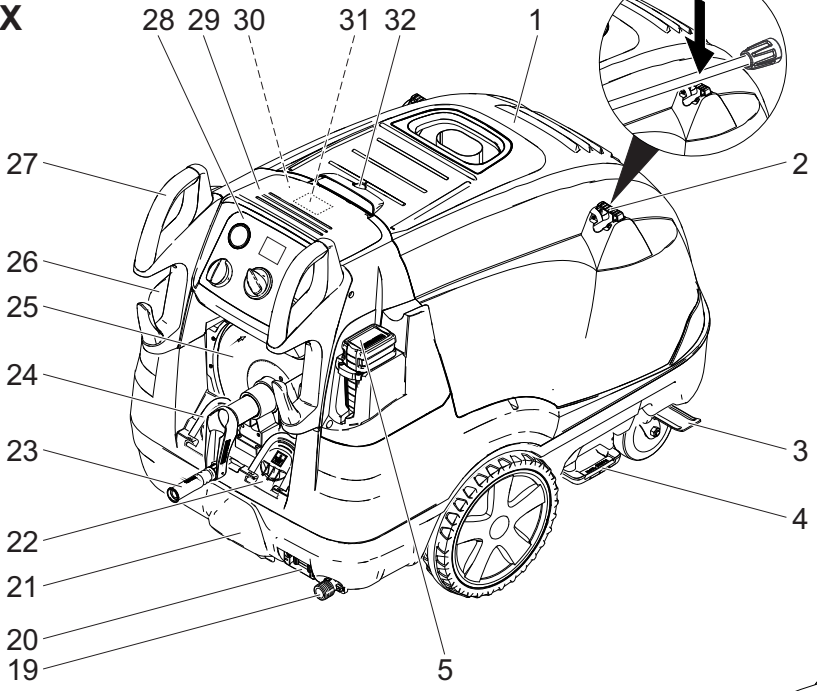


**EAC**

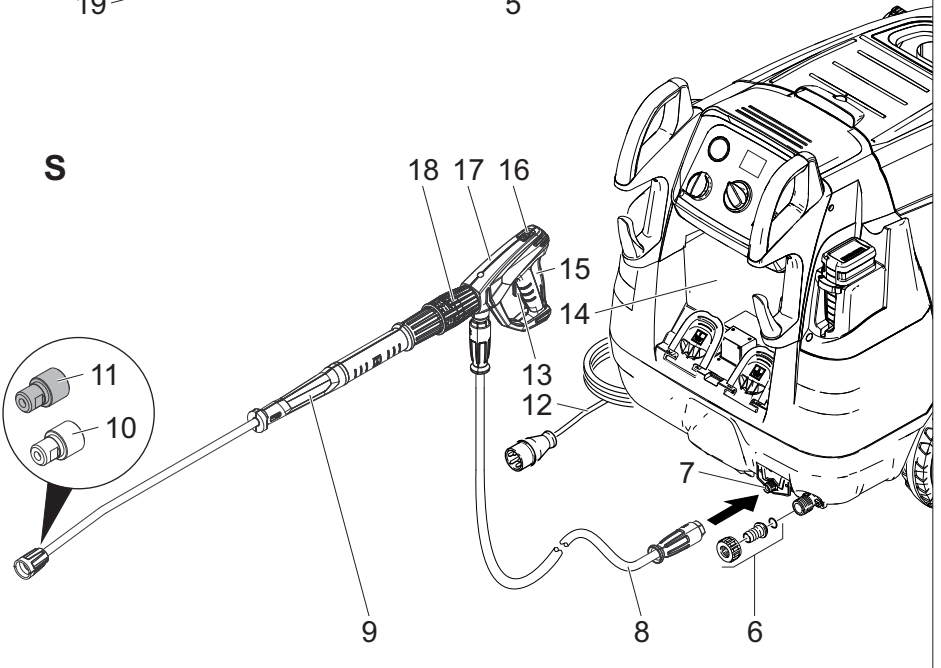


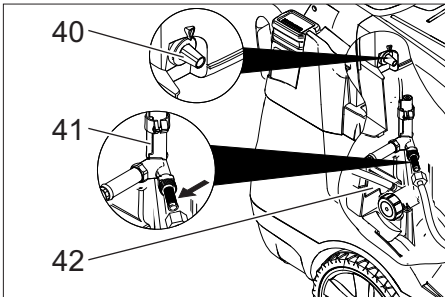
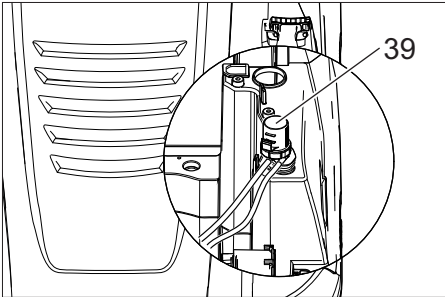
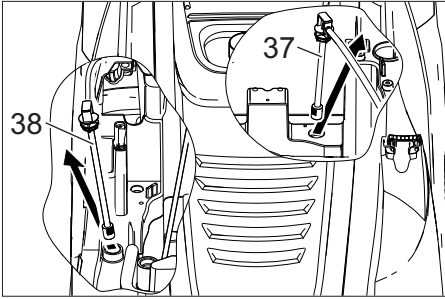
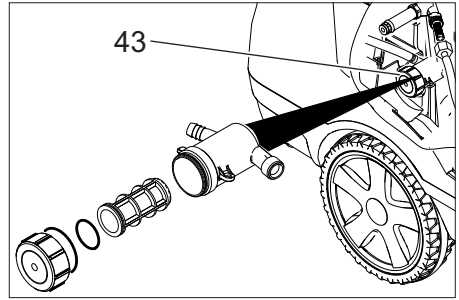
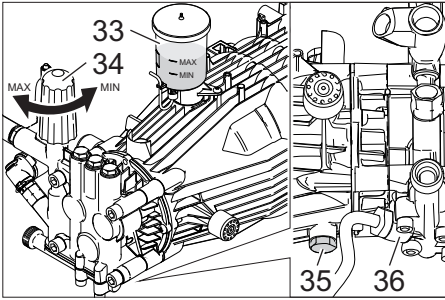
59657720 05/16

**SX**

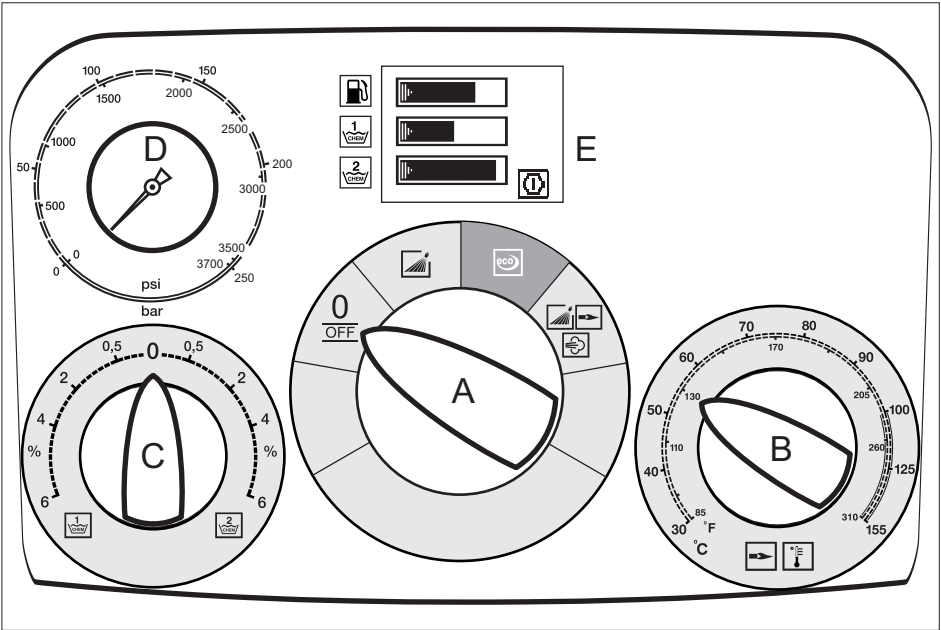


**S**

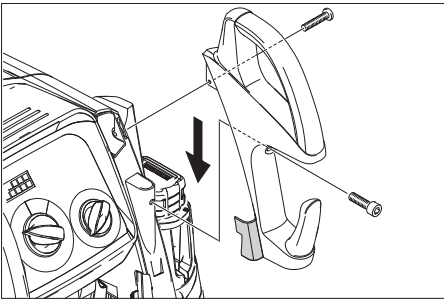




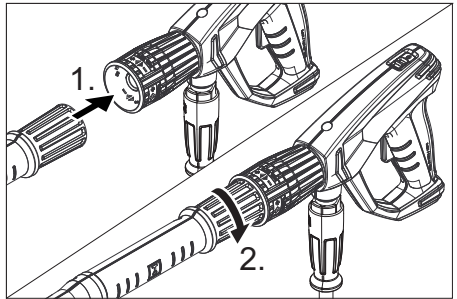
2



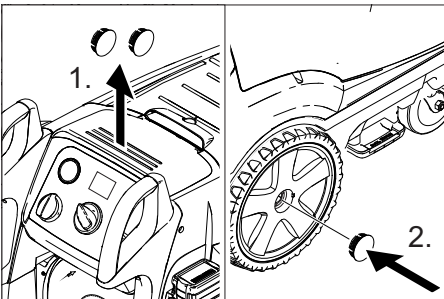
3



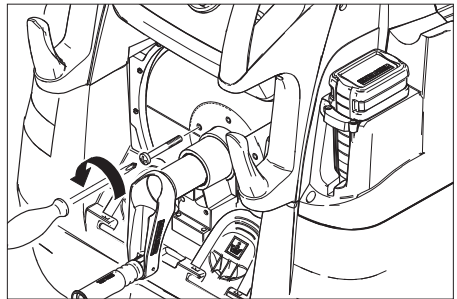
5



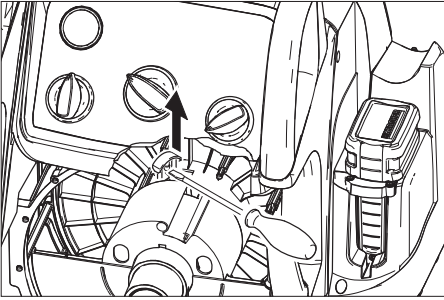
4



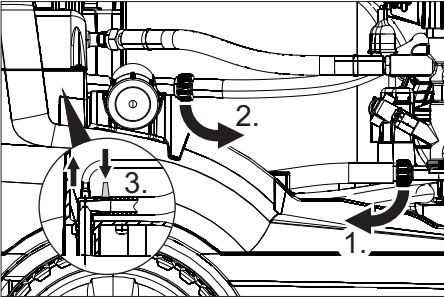
6



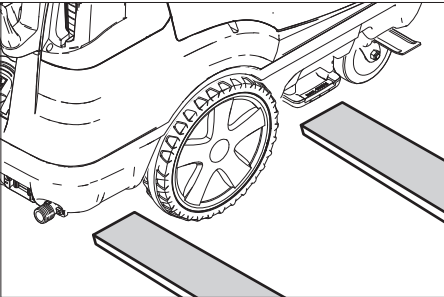
7



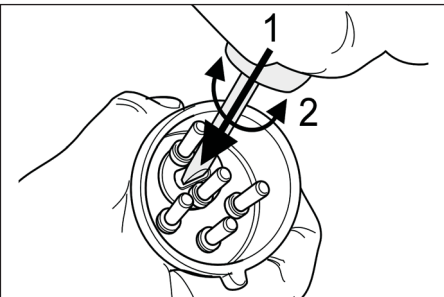
8



9



10



6



Please read and comply with these original instructions prior to the initial operation of your appliance and store them for later use or subsequent owners.

- Before first start-up it is definitely necessary to read the operating instructions and safety indications Nr. 5.951-949.0!
- In case of transport damage inform vendor immediately.
- Check the contents of the pack before unpacking. For scope of delivery see illustration 1.

## Contents

Environmental protection . . . .	EN	1
Danger or hazard levels . . . .	EN	1
Overview . . . . .	EN	2
Symbols on the machine. . . .	EN	2
Proper use . . . . .	EN	3
Safety instructions. . . . .	EN	3
Safety Devices . . . . .	EN	3
Start up . . . . .	EN	4
Operation . . . . .	EN	6
Storage . . . . .	EN	9
Transport. . . . .	EN	9
Care and maintenance . . . .	EN	10
Troubleshooting . . . . .	EN	11
Warranty . . . . .	EN	13
Accessories and Spare Parts .	EN	13
EU Declaration of Conformity .	EN	14
Technical specifications . . . .	EN	15
Recurring tests . . . . .	EN	16

## Environmental protection



The packaging material can be recycled. Please do not throw the packaging material into household waste; please send it for recycling.



Old appliances contain valuable materials that can be recycled; these should be sent for recycling. Batteries, oil, and similar substances must not enter the environment. Please dispose of your old appliances using appropriate collection systems.

Please do not release engine oil, fuel oil, diesel and petrol into the environment. Protect the ground and dispose of used oil in an environmentally-clean manner.

### Notes about the ingredients (REACH)

You will find current information about the ingredients at:

[www.kaercher.com/REACH](http://www.kaercher.com/REACH)

## Danger or hazard levels

### **⚠ DANGER**

*Pointer to immediate danger, which leads to severe injuries or death.*

### **⚠ WARNING**

*Pointer to a possibly dangerous situation, which can lead to severe injuries or death.*

### **⚠ CAUTION**

*Pointer to a possibly dangerous situation, which can lead to minor injuries.*

### **ATTENTION**

*Pointer to a possibly dangerous situation, which can lead to property damage.*

# Overview

## Device elements

**Figure 1**

- 1 Cover
- 2 Support for spray lance (on both sides)
- 3 Steering roller with fixed position brake
- 4 Fastening point for transport (on both sides)
- 5 System care Advance RM 110/RM 111
- 6 Water supply set
- 7 High-pressure connection EASY!Lock (S only)
- 8 High pressure hose EASY!Lock
- 9 Spray lance EASY!Lock
- 10 High-pressure nozzle (stainless steel)
- 11 Steam nozzle (brass)
- 12 Power supply
- 13 Safety lever
- 14 Folding compartment (S only)
- 15 Trigger
- 16 Safety latch of the hand spray gun
- 17 Trigger gun EASY!Force
- 18 Pressure/ quantity regulation at the hand spray gun
- 19 Connection for water supply with filter
- 20 Output opening of the high-pressure hose (SX only)
- 21 Step depression
- 22 Pouring vent for detergent 2
- 23 Hand crank for hose drum (SX only)
- 24 Pouring vent for detergent 1
- 25 Hose drum (SX only)
- 26 Pouring vent for fuel
- 27 Handle
- 28 Operating field
- 29 Closing flap for storage compartment
- 30 Storage compartment for accessories
- 31 Nameplate
- 32 Cover lock
- 33 Oil tank
- 34 Pressure/quantity regulation of the pump unit
- 35 Oil drain screw
- 36 Backflow valve of the detergent infeed
- 37 Detergent suction hose 1 with filter
- 38 Detergent suction hose 2 with filter
- 39 Fuel filter

- 40 Service switch
- 41 Water shortage safe guard with sieve
- 42 Float tank
- 43 Fine filter (water)

## Operating field

**Figure 2**

- A Power switch
- B Temperature controller
- C Dosage valve for detergent
- D Manometer
- E Display

## Colour coding

- The operating elements for the cleaning process are yellow.
- The controls for the maintenance and service are light gray.

## Symbols on the machine



*High-pressure jets can be dangerous if improperly used. The jet may not be directed at persons, animals, live electrical equipment or at the appliance itself.*

	<b>Risk of electric shock!</b> Only electricians or authorised technicians are permitted to work on parts of the plant.
	<b>Risk of burns on account of hot surfaces!</b>
	<b>Risk of poisoning! Do not inhale exhaust fumes.</b>
	<b>Risk of injury! Do not reach in with your hands.</b>

## Proper use

Cleaning of: Machines, Vehicles, Structures, Tools, Facades, Terraces, Gardening tools, etc.

### **⚠ DANGER**

*Risk of injury! Follow the respective safety regulations when operating at gas stations or other dangerous areas.*

Please do not let mineral oil contaminated waste water reach soil, water or the sewage system. Perform engine cleaning and bottom cleaning therefore only on specified places with an oil trap.

### **Quality requirements for water:**

#### **ATTENTION**

*Only clean water may be used as high pressure medium. Impurities will lead to increased wear and tear or formation of deposits in the appliance and accessories. If recycled water is used, the following limit values must not be exceeded.*

pH value	6,5...9,5
electrical conductivity *	Conductivity fresh water +1200 µS/cm
settleable solids **	< 0,5 mg/l
total suspended solids ***	< 50 mg/l
Hydrocarbons	< 20 mg/l
Chloride	< 300 mg/l
Sulphate	< 240 mg/l
Calcium	< 200 mg/l
Total hardness	< 28 °dH < 50 °TH < 500 ppm (mg CaCO <sub>3</sub> /l)
Iron	< 0,5 mg/l
Manganese	< 0,05 mg/l
Copper	< 2 mg/l
Active chloride	< 0,3 mg/l
free of bad odours	
* Maximum total 2000 µS/cm	
** Test volume 1 l, settling time 30 min	
*** no abrasive substances	

## Safety instructions

- *Please follow the national rules and regulations for fluid spray jets of the respective country.*
- *Please follow the national rules and regulations for accident prevention of the respective country. Fluid spray jets must be tested regularly and the results of these tests must be documented in writing.*
- *The heating appliance of the machine is an ignition plant. All national laws and regulations about heating systems must also be followed.*
- *As per the applicable national guidelines, the first time this high-pressure cleaner must be taken into operation by a skilled person. KÄRCHER has already performed this initial start-up for you and has documented it accordingly. The documentation can be requested at your KÄRCHER partner. Please have the part and plant number of the appliance available when enquiring about the documentation.*
- *We would like to point out that the appliance must be repeatedly checked by a skilled person as prescribed by the applicable national regulations. Please contact your KÄRCHER partner.*
- *The appliance/accessories must not be modified.*

## Safety Devices

Safety devices serve for the protection of the user and must not be put out of operation or bypassed with respect to their function.



## Overflow valve with two pressure switches

- While reducing the water supply at the pump head or with the Servopress - regulation the overflow valve opens and part of the water flows back to the pump suck side.
- If the hand-spray gun is closed, so that the whole water flows back to the pump suck side, the pressure switch at the overflow valve shuts down the pump.
- If the hand spray gun is opened, the pressure switch on the cylinder head turns the pump back on.

The overflow valve is set by the manufacturer and sealed. Setting only by customer service.

## Safety valve

- The safety valve opens, when the overflow valve resp. the pressure switch is broken.

The safety valve is set by the manufacturer and sealed. Setting only by customer service.

## Water shortage safeguard

- The water shortage safeguard prevents the burner to be turned on when there is water shortage.
- A sieve prevents the contamination of the safeguard and must be cleaned regular.

## Temperature stop for exhaust gases

- The temperature stop switches off the machine when the waste gases have reached very high temperatures.

## Start up

### ⚠ **WARNING**

*Risk of injury! Appliance, accessories, supply lines and connections must be in fault-free condition. If they are not in a perfect state then the appliance must not be used.*

- ➔ Lock parking brake.

## Installing the handle

### Figure 3

#### **ATTENTION**

*Hook the electric supply line into the cable guide of the right handle bow. Be careful not to damage the cable.*

## Attach the wheel caps

### Figure 4

#### Replace the system care bottle

**Note:** Push the bottle in securely to penetrate the closure. Do not remove bottle until it is empty.

**Note:** To protect the device, the burner is switched off 5 hours after the system care bottle is empty.

- The system care prevents the calcification of the heating spiral while operating with calciferous tap water. It is dosed into the supply in the float container drop by drop.
- The metering is set to medium water rigidity by the manufacturer

**Note:** A system care bottle is included in the delivery.

- ➔ Replace the system care bottle.

#### Adjusting the dosage of the system care Advance RM 110/RM 111

- ➔ Determining the hardness of tap water:
  - through the public water supply works,
  - using a hardness tester (order no. 6.768-004)

Water hardness (°dH)	Scale on the service switch
<3	OFF (no dosing)
3...7	1
7...14	2
14...21	3 (presetting)
>21	4

- ➔ Set the service switch according to the water hardness in the table.

**Note:** Observe the following when using system care Advance 2 RM 111:

- Calcification protection: See table
- Pump care and black water protection: Set the service switch to at least setting 3.

### Refill fuel

#### **⚠ DANGER**

*Danger of explosion! Only refill diesel oil or light fuel oil. Inappropriate fuels, e.g. petrol, must not be used.*

#### **ATTENTION**

*Risk of damage! Never operate device with an empty fuel tank. The fuel pump will otherwise be destroyed.*

- Refill fuel.
- Close tank lock.
- Wipe off spilled fuel.

### Refill detergent

#### **⚠ DANGER**

*Risk of injury!*

- Use Kärcher products only.
- Under no circumstances fill solvents (petrol, acetone, diluting agent etc.)
- Avoid eye and skin contact.
- Observe safety and handling instructions by the detergent manufacturer.

#### **Kärcher offers an individual cleaning and care appliances program.**

Your dealer will consult you gladly.

- Refill detergent.

### Install the hand-spray gun, the jet pipe, the nozzle and the high pressure hose

**Note:** The EASY!Lock system joins components with a quick-fasten thread solidly and securely with just one turn.

#### **Figure 5**

- Join the spray lance with the trigger gun and tighten until hand-tight (EASY!Lock).
- Insert the high pressure nozzle onto the spray lance.
- Install union nut and hand-tighten it (EASY!Lock).

- Appliance without hose drum: Join the high-pressure hose with trigger gun and high-pressure connection of the appliance and tighten until hand-tight (EASY!Lock).
- Device with hose drum: Join the high pressure hose with trigger gun and tighten until hand-tight (EASY!Lock).

#### **ATTENTION**

*Risk of damage. Always unwind high-pressure hose completely.*

### Installing the replacement high-pressure hose (appliances with hose drum)

#### **Figure 6**

- Completely roll off the high-pressure hose from the hose drum.
- Rotate the hose drum until the screwed-on semi bowl is pointing toward the top. Loosen all three screws and remove the loosened semi bowl.

#### **Figure 7**

- Unlatch the fastening clamp for the high-pressure hose and pull the hose out.
- Route the new high-pressure hose through the intended hose guide and the deflection pulley at the bottom of the appliance.
- Slide the hose nipple all the way into the knot section of the hose drum and secure with the fastening clamp.
- Replace the half bowl.

### Water connection

For connection values refer to technical specifications.

- Attach supply hose (minimum length 7.5 m, minimum diameter 3/4") to the water supply set by means of a hose clamp.
- Connect the supply hose to the water connection point of the machine and at the water supply point (for e.g. a tap).

**Note:** The supply hose and the hose clamp are not included in the scope of delivery.

## Suck in water from vessel

If you want to suck in water from an external vessel, the following modification is necessary:

### Figure 8

- ➔ Remove water connection from the pump head.
- ➔ Unscrew the upper supply hose to the swimmer container at the fine filter and connect it to the pump head.
- ➔ Replug the rinse line of the detergent dosing valve.
- ➔ Connect suction hose (minimum diameter 3/4") with filter (accessory) to the water connection point.

– Max. suck height: 0.5 m

Until the pump sucked in water, you should:

- ➔ Set the pressure/quantity regulation at the pump unit to maximum quantity.
- ➔ Close the dosing valve for the detergent.

### ⚠ DANGER

*Risk of personal injury or damage! Never suck in water from a drinking water container. Never suck in liquids which contain solvents like lacquer thinner, petrol, oil or unfiltered water. The sealings within the device are not solvent resistant. The spray mist of solvents is highly inflammable, explosive and poisonous.*

## Power connection

- For connection values, see technical data and type plate.
- The electrical connections must be done by an electrician according to IEC 60364-1.

### ⚠ DANGER

*Risk of injury on account of electric shock!*

- *Unsuitable electrical extension cables can be hazardous. Only use electrical extension cables outdoors which have been approved and labelled for this purpose and have an adequate cable cross-section.*
- *Always unwind extension lines completely.*
- *The plug and coupling of the extension cable used must be watertight.*

## ATTENTION

*The highest allowed net impedance at the electrical connection point (refer to technical data) is not to be exceeded. In case of confusion regarding the power impedance present on your connection, please contact your utilities provider.*

## Operation

### ⚠ DANGER

*Danger of explosion! Do not spray flammable liquids.*

### ⚠ DANGER

*Risk of injury! Never use the appliance without the spray lance attached. Check and ensure proper fitting of the spray lance prior to each use. The screw connection of the spray lance must be finger-tight.*

### ⚠ DANGER

*Risk of injury! Hold the hand spray gun and the spray pipe firmly with both hands.*

### ⚠ DANGER

*Risk of injury! The trigger and safety lever may not be locked during the operation.*

### ⚠ DANGER

*Risk of injury! Contact Customer Service if the safety lever is damaged.*

## ATTENTION

*Risk of damage! Never operate device with an empty fuel tank. The fuel pump will otherwise be destroyed.*

## Opening/closing the trigger gun

- ➔ To open the trigger gun: Actuate the safety lever and trigger.
- ➔ To close the hand spray gun: Release the safety lever and trigger.

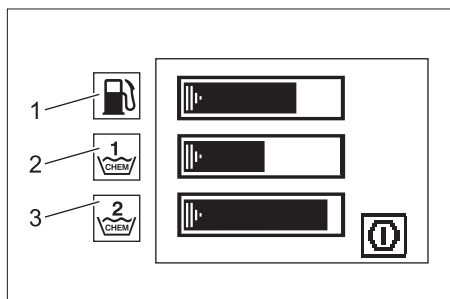
## Replace the nozzle

### ⚠ DANGER

*Risk of injury! Switch the appliance off prior to replacing nozzle and activate hand spray gun until device is pressureless.*

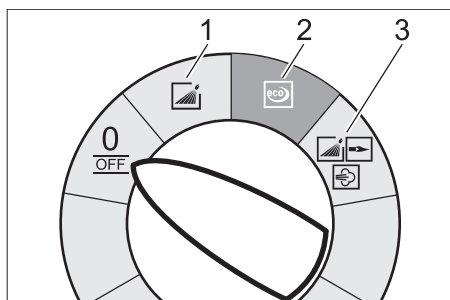
- ➔ Secure the trigger gun. To do so, push the safety catch towards the front.
- ➔ Replacing the nozzle.

## Display



- 1 Bar graph - fuel fill level
  - 2 Bar graph - detergent 1 fill level
  - 3 Bar graph - detergent 2 fill level
- The operation and maintenance symbols are displayed consecutively for 3 seconds each, just like in a slide show.
  - The error symbols remain until the appliance is switched off.

## Operating modes



0/OFF = Off

- 1 Operating with cold water
- 2 Eco operation (hot water max. 60 °C)
- 3 Operating with hot water/steam

## Turning on the Appliance

- ➔ Set appliance switch to desired operating mode.

The device starts briefly and turns off, as soon as the working pressure is reached.

**Note:** If the error symbol appears on the display during operation, immediately switch off the appliance and remove the error; see "Help for errors".

- ➔ Release the trigger gun. To do so, push the safety catch towards the back.

When activating the hand spray gun the device switches back on.

**Note:** If no water comes out of the high pressure nozzle, vent pump. Refer to "Help with malfunctions - appliance is not building up pressure".

## Adjust cleaning temperature

- ➔ Set temperature regulator to desired temperature.

**30 °C to 98 °C**

- Clean with hot water.

**100 °C to 150 °C**

- Clean using steam.



**Follow the instructions given in the section "Operation with steam"!**

## Set working pressure and flow rate

### Pressure/quantity regulation of the pump unit

- ➔ Turn the regulation spindle in a clockwise direction: Increase working pressure (MAX).
- ➔ Turn the regulation spindle in an anti-clockwise direction: Reduce working pressure (MIN).

### Pressure/ quantity regulation at the hand spray gun

- ➔ Set thermostat to max. 98 °C.
- ➔ Set the working pressure/quantity regulation at the pump unit to maximum quantity.
- ➔ Set the working pressure and feed quantity by turning (steplessly) the pressure/quantity regulation mechanism at the hand spray gun (+/-).

### ⚠ DANGER

*Risk of injury! When adjusting the pressure/quantity regulation, make sure that the screw connection of the spray lance does not become loose.*

**Note:** For long term work with low pressure, set pressure at the pressure/quantity regulation of the pump unit.

## Operation with detergent

- For considerate treatment of the environment use detergent economically.
- The detergent must be suitable for the surface to be cleaned.
- With support of the detergent dose valve set detergent concentration as determined by the manufacturer.

**Note:** Recommended values at the control panel at maximum working pressure.

## Cleaning

- Set pressure/temperature and detergent concentration according to the surface to be cleaned.

**Note:** To prevent damage due to too much pressure, always position high pressure ray first from a greater distance towards object to be cleaned.

## Recommended cleaning method

- Loosen the dirt:
- Spray detergent economically and let it work for 1...5 minutes but do not let it dry up.
- Remove the dirt:
- Spray off loosened dirt with the high pressure jet.

## Operating with cold water

Removal of light contaminations and clear rinse, i.e.: Gardening tools, terrace, tools, etc.

- Set operating pressure according to need.

## Eco operation

The appliance works in the most economical temperature range.

**Note:** The temperature can be regulated up to 60 °C.

## Operating with hot water/steam

We recommend the following cleaning temperatures:

- Light contaminations  
**30-50 °C**

- Contaminations containing protein, i.e. in the food processing industry  
**max. 60 °C**
- Vehicle cleaning, machine cleaning  
**60-90 °C**
- De-preserve, contaminations containing strong fat contents  
**100-110 °C**
- De-frosting of surcharge substances, partially facade cleaning  
**up to 140 °C**

## Operating with hot water

⚠ **DANGER**

*Scalding danger!*

- Set temperature regulator to desired temperature.

## Operating with steam

⚠ **DANGER**

*Scalding danger! The work pressure must not exceed 3.2 MPa (32 bar) when operating with temperatures above 98 °C.*

Therefore the following measures must definitely be performed:

⚠

- **Replace high pressure nozzle (stainless steel) with steam nozzle (brass, order see specification).**
- Open up the pressure/ quantity regulator on the hand spray gun completely, direction + until stop.
- Set the working pressure/quantity regulation at the pump unit to the minimum quantity.
- Set temperature regulator to min. 100 °C.

## Interrupting operation

- Secure the trigger gun. To do so, push the safety catch towards the front.

## After operation with detergent

- Set dosing value for detergent to "0".
- Set the appliance switch to "1" (operation with cold water).
- Open the hand spray gun and rinse the appliance for at least 1 minute.

## Turn off the appliance

### **⚠ DANGER**

*Danger of scalding from hot water! After the operation with hot water or steam, the device must be operated with opened gun with cold water for at least two minutes.*

- Shut off water supply.
- Open the hand spray gun.
- Switch on the pump with the power switch and allow to run for about 5-10 seconds.
- Close the hand spray gun.
- Set the appliance switch to "0/OFF".
- Pull main plug out of socket with dry hands only.
- Remove water connection.
- Activate hand spray gun until device is pressure less.
- Secure the trigger gun. To do so, push the safety catch towards the front.

## Storing the Appliance

- Lock in the steel pipe into the holder of the appliance hood.
- Roll up high pressure hose and electrical conduit and hang them into the respective holders.

Device with hose drum:

- Before rolling up, stretch out the high pressure hose.
- Turn the hand crank clockwise (Direction of the arrow).

**Note:** Do not twist high pressure hose and electrical conduit.

## Frost protection

### **ATTENTION**

*Risk of damage! Frost will destroy the appliance if the water has not been completely drained.*

- Store in a frost free area.

If the device is connected to a chimney, the following must be observed:

### **ATTENTION**

*Threat of damage by penetrating cold air through the chimney.*

- Disconnect device from chimney when outside temperature drops below 0 °C. If it is not possible to store frost free, shut down device.

## Shutdown

For longer work breaks or if a frost free storage is not possible:

- Empty detergent tank.
- Drain water.
- Flush device with anti-freeze agent.

### **Dump water**

- Screw off water supply hose and high pressure hose.
- Screw off supply hose at boiler bottom and drain heating spiral empty.
- Operate device for max. 2 minutes until the pump and lines are empty.

### **Flush device with anti-freeze agent**

**Note:** Observe handling instructions of the anti-freeze agent manufacturer.

- Fill anti-freeze agent of the trade into swimmer container.
- Switch on appliance (without heater) till the appliance has been completely rinsed.

A certain corrosion protection is achieved with this as well.

## Storage

### **⚠ CAUTION**

*Risk of personal injury or damage! Consider the weight of the appliance when storing it.*

## Transport

### **Figure 9**

### **ATTENTION**

*Risk of damage! When loading the appliance with a forklift, observe the illustration.*

### **ATTENTION**

*Protect the trigger from damage during transport.*

### **⚠ CAUTION**

*Risk of personal injury or damage! Mind the weight of the appliance during transport.*

- When transporting in vehicles, secure the appliance according to the guidelines from slipping and tipping over.

## Care and maintenance

### **⚠ DANGER**

*Risk of injury by inadvertent start-up of appliance and electric shock. Prior to all work on the appliance, switch off the appliance and pull the power plug.*

- Shut off water supply.
- Open the hand spray gun.
- Switch on the pump with the power switch and allow to run for about 5-10 seconds.
- Close the hand spray gun.
- Set the appliance switch to "0/OFF".
- Pull main plug out of socket with dry hands only.
- Remove water connection.
- Activate hand spray gun until device is pressure less.
- Secure the trigger gun. To do so, push the safety catch towards the front.
- Allow device to cool down.

**Your Kärcher vender will inform you about the performance of a periodic safety inspection resp. signing of a maintenance contract.**

## Maintenance intervals

### Weekly

- Clean the sieve in the water connection.
- Clean the fine filter.
- Check oil level.

### ATTENTION

*Risk of damage! In case of lactic acid inform Kärcher customer service immediately.*

### Monthly

- Clean sieve in the water shortage safe guard.
- Clean filter at the detergent suck hose.

### Every 500 operating hours, at least annually

- Oil change.
- Have the maintenance of the device performed by the customer service.

### At least every 5 years, recurring

- Perform the pressure test as per manufacturer's instructions.

## Maintenance Works

### Clean the sieve in the water connection

- Take out sieve.
- Clean sieve in water and reinstall.

### Cleaning the fine filter

- Unpressurize the appliance.
- Unscrew lid with filter.
- Clean the filter with clean water or compressed air.
- Reinstall in reverse sequence.

### Clean sieve in the water shortage safe guard

- Unpressurize the appliance.
- Loosen covering nut and take off hose.
- Take out sieve.

**Note:** If necessary turn in screw M8 appr. 5 mm inwards and therewith pull out sieve.

- Clean sieve in water.
- Push sieve inwards.
- Put on hose.
- Tighten covering nut firmly.

### Clean filter at the detergent suck hose

- Take out detergent suck supports.
- Clean filter in water and reinstall.

### Oil change

- Ready a catch bin for appr 1 Litre oil.
- Loosen release screw.

Dispose of old oil ecologically or turn in at a gathering point.

- Tighten release screw.
  - Fill oil slowly up to the MAX marking.
- Note:** Air pockets must be able to leak out.

**For oil type refer to technical specifications.**

## Maintenance work using the display

### Symbol pump maintenance



- Perform maintenance procedure.

## Symbol burner maintenance



→ Perform maintenance procedure.

## Symbol accessory maintenance



→ Perform maintenance procedure.

## Troubleshooting

### ⚠ **DANGER**

*Risk of injury by inadvertent start-up of appliance and electric shock. Prior to all work on the appliance, switch off the appliance and pull the power plug.*

### Bar graph - fuel fill level - switches off

- Fuel tank empty.
- Refill fuel.

### Bar graph - detergent 1 fill level - switches off

- Detergent tank 1 is empty.
- Refill detergent.

### Bar graph - detergent 2 fill level - switches off

- Detergent tank 2 is empty.
- Refill detergent.

### Pump symbol



- Lack of oil
- Replenish oil.

**Note:** In case of lack of oil, the appliance will not switch off.

## Rotation direction symbol



**Figure 10**

→ Exchange the poles at the appliance plug.

## Engine symbol



- Engine overload/overheat
- Set the appliance switch to "0/OFF".
- Allow device to cool down.
- Turn on the appliance.
- Error occurs repeatedly.
- Inform Customer Service.

## Electrical symbol



- Contactor error
- Set the appliance switch to "0/OFF".
- Turn on the appliance.
- Error occurs repeatedly.
- Inform Customer Service.
- Fault in the voltage supply.
- Check main connections and mains fuse.
- Excessive power consumption.
- Check main connections and mains fuse.
- Inform Customer Service.

## Water shortage symbol



- Water shortage
- Check water supply, check connections.



## Burner error symbol



- The exhaust temperature limiter has been triggered.
- Set the appliance switch to "0/OFF".
- Allow device to cool down.
- Turn on the appliance.
- Error occurs repeatedly.
- Inform Customer Service.

## Error symbol



- Leak in the high pressure system
- Check high pressure system and connections for tightness.
- Inform Customer Service.

## Flame sensor symbol



- The flame sensor turned the burner off.
- Inform Customer Service.

## System care detection symbol



- System care detection defective
- Inform Customer Service.

## System care symbol



- Note:** Burner can operate 5 more hours.
- System care bottle empty.
  - Replace the system care bottle.



- Note:** Burner operation no longer possible.
- System care bottle empty.
  - Replace the system care bottle.

## Appliance is not running

- No power
- Check power connection/conduit.

## Device is not building up pressure

- Air within the system
- Vent pump:
- Set dosing value for detergent to "0".
  - With open hand spray gun turn device on and off multiple times with the device switch.
  - Open and close the pressure/quantity regulation at the pump unit with the hand spray gun open.

**Note:** By dismantling the high pressure hose from the high pressure connection the venting process is accelerated.

- If detergent tank is empty, refill.
- Check connections and conduits.
- Pressure is set to MIN
- Set pressure to MAX.
- Sieve in the water connection is dirty
- Clean sieve.
- Clean the fine filter; replace it, if necessary.
- Amount of water supply is too low.
- Check water supply level (refer to technical data).

## Device leaks, water drips from the bottom of the device

- Pump leaky
- Note:** 3 drops/minute are allowed.
- With stronger leak, have device checked by customer service.

## Device turns on and off while hand spray gun is closed

- Leak in the high pressure system
- Check high pressure system and connections for tightness.

## Device is not sucking in detergent

- ➔ Leave device running with open detergent dosage valve and closed water supply, until the swimmer tank is sucked empty and the pressure falls to "0".
  - ➔ Open the water supply again.
- If the pump still is not sucking in any detergent, it could be because of the following reasons:
- Filter in the detergent suck hose dirty
  - ➔ Clean filter.
  - Backflow valve stuck
  - ➔ Remove the detergent hose and loosen the backflow valve using a blunt object.

## Burner does not start

- System care bottle empty.
- ➔ Replace the system care bottle.
- Fuel tank empty.
- ➔ Refill fuel.
- Water shortage
- ➔ Check water supply, check connections.
- ➔ Clean sieve in the water shortage safe guard.
- Fuel filter dirty
- ➔ Change fuel filter.
- No ignition spark
- ➔ If device is in use and no ignition spark can be seen through the viewing glass, have device checked by customer service.

## Set temperature is not achieved while using hot water

- Working pressure/flow rate too high
- ➔ Reduce working pressure/flow quantity at the pressure/volume regulator in the pump unit.
- Sooty heating spiral
- ➔ Have device de-sooted by customer service.

## Customer Service

**If malfunction can not be fixed, the device must be checked by customer service.**

## Warranty

The warranty terms published by the relevant sales company are applicable in each country. We will repair potential failures of your appliance within the warranty period free of charge, provided that such failure is caused by faulty material or defects in manufacturing. In the event of a warranty claim please contact your dealer or the nearest authorized Customer Service centre. Please submit the proof of purchase.

## Accessories and Spare Parts

Only use original accessories and spare parts, they ensure the safe and trouble-free operation of the device. For information about accessories and spare parts, please visit [www.kaercher.com](http://www.kaercher.com).

## EU Declaration of Conformity

We hereby declare that the machine described below complies with the relevant basic safety and health requirements of the EU Directives, both in its basic design and construction as well as in the version put into circulation by us. This declaration shall cease to be valid if the machine is modified without our prior approval.

**Product:** High pressure cleaner

**Type:** 1.071-xxx

### Relevant EU Directives

2014/68/EU

2006/42/EC (+2009/127/EC)

2014/30/EU

2014/53/EU

2000/14/EC

### Component category

II

### Conformity procedure

Module H

### Heating coil

Conformity assessment Module H

### Safety valve

Conformity assessment Art. 4 para 3

### control block

Conformity assessment Module H

### various pipes

Conformity assessment Art. 4 para 3

### Applied harmonized standards

EN 55014-1: 2006+A1: 2009+A2: 2011

EN 55014-2: 2015

EN 60335-1

EN 60335-2-79

EN 61000-3-2: 2014

EN 61000-3-11: 2000

EN 62233: 2008

EN 300 330-2 V1.5.1 : 2010

EN 301 489-1 V1.8.1 : 2008

EN 301 489-3 V1.4.1 : 2002

### Applied specifications:

Based on AD 2000

Based on TRD 801

### Name of the appointed agency: for 2014/68/EU

TÜV Rheinland Industrie Service GmbH  
Am Grauen Stein  
51105 Köln  
ID No. 0035

Certificate no.:

01 202 111/Q-08 0003

### Applied conformity evaluation method

2000/14/EC: Appendix V

### Sound power level dB(A)


Measured: 89

Guaranteed: 91

5.957-902

The undersigned act on behalf and under the power of attorney of the company management.

  
H. Jenner  
CEO

  
S. Reiser  
Head of Approbation

Authorised Documentation Representative  
S. Reiser

Alfred Kärcher GmbH Co. KG  
Alfred-Kärcher-Str. 28 - 40  
71364 Winnenden (Germany)  
Phone: +49 7195 14-0  
Fax: +49 7195 14-2212

Winnenden, 2016/01/01

# Technical specifications

		HDS 13/20	HDS 13/20
<b>Main Supply</b>			
Voltage	V	230	400
Current type	Hz	3~ 50	3~ 50
Connected load	kW	9,3	9,3
Protection (slow)	A	55	32
Type of protection	--	IPX5	IPX5
Protective class	--	I	I
Maximum allowed net impedance	Ohm	(0.159+j0.100)	(0.159+j0.100)
<b>Water connection</b>			
Max. feed temperature	°C	30	30
Min. feed volume	l/h (l/min)	1500 (25)	1500 (25)
Suck height from open container (20 °C)	m	0,5	0,5
Max. feed pressure	MPa (bar)	0,6 (6)	0,6 (6)
<b>Performance data</b>			
Water flow rate	l/h (l/min)	600-1300 (10-21,6)	600-1300 (10-21,6)
Operating pressure of water (using standard nozzle)	MPa (bar)	3-20 (30-200)	3-20 (30-200)
Max. excess operating pressure (safety valve)	MPa (bar)	24 (240)	24 (240)
Steam flow rate	l/h (l/min)	600-650 (10-10,8)	600-650 (10-10,8)
Max. operating pressure for working with steam (using steam nozzle)	MPa (bar)	3,2 (32)	3,2 (32)
Part no. of steam nozzle	--	2.114-011.0	2.114-011.0
Max. operating temperature of hot water	°C	98	98
Working temperature steam operation	°C	155	155
Detergent suck in	l/h (l/min)	0-78 (0-1,3)	0-78 (0-1,3)
Burner performance	kW	108	108
Maximum consumption of heating oil	kg/h	8,3	8,3
Max. recoil force of trigger gun	N	40,3	40,3
Size of standard nozzle (SX)	--	070 (072)	070 (072)
<b>Values determined as per EN 60335-2-79</b>			
Noise emission			
Sound pressure level L <sub>pA</sub>	dB(A)	74	74
Uncertainty K <sub>pA</sub>	dB(A)	2	2
Sound power level L <sub>WA</sub> + Uncertainty K <sub>WA</sub>	dB(A)	91	91
Hand-arm vibration value			
Hand spray gun	m/s <sup>2</sup>	1,66	1,66
Spray lance	m/s <sup>2</sup>	5,85	5,85
Uncertainty K	m/s <sup>2</sup>	1,0	1,0
<b>Fuel</b>			
Fuel	--	Fuel oil EL or Diesel	Fuel oil EL or Diesel
Amount of oil	l	1,0	1,0
Oil grade	--	SAE 90	SAE 90
<b>Dimensions and weights</b>			
Length x width x height	mm	1330 x 750 x 1060	1330 x 750 x 1060
Typical operating weight, S	kg	200	200
Typical operating weight, SX	kg	205	205
Fuel tank	l	25	25
Detergent Tank	l	10+20	10+20

## Recurring tests

**Note:** The recommended testing frequencies of the respective statutory regulations of the country of operation are to be followed.

<b>Testing done by:</b>	<b>External testing</b>	<b>Internal testing</b>	<b>Leak-proof tests</b>
Name	Signature of the authorised person/ date	Signature of the authorised person/ date	Signature of the authorised person/ date
Name	Signature of the authorised person/ date	Signature of the authorised person/ date	Signature of the authorised person/ date
Name	Signature of the authorised person/ date	Signature of the authorised person/ date	Signature of the authorised person/ date
Name	Signature of the authorised person/ date	Signature of the authorised person/ date	Signature of the authorised person/ date
Name	Signature of the authorised person/ date	Signature of the authorised person/ date	Signature of the authorised person/ date
Name	Signature of the authorised person/ date	Signature of the authorised person/ date	Signature of the authorised person/ date



Lire ce manuel d'utilisation original avant la première utilisation de votre appareil, le respecter et le conserver pour une utilisation ultérieure ou pour le futur propriétaire.

- Avant la première mise en service, vous devez impérativement avoir lu les consignes de sécurité N° 5.951-949.0 !
- Contactez immédiatement le revendeur en cas d'avarie de transport.
- Vérifier le contenu de l'emballage à l'ouverture. Étendue de livraison cf. figure 1.

## Table des matières

Protection de l'environnement	FR	1
Niveaux de danger	FR	1
Aperçu général	FR	2
Symboles sur l'appareil	FR	2
Utilisation conforme	FR	3
Consignes de sécurité	FR	3
Dispositifs de sécurité	FR	4
Mise en service	FR	4
Utilisation	FR	7
Entreposage	FR	11
Transport	FR	11
Entretien et maintenance	FR	11
Assistance en cas de panne	FR	12
Garantie	FR	15
Accessoires et pièces de rechange	FR	15
Déclaration UE de conformité	FR	16
Caractéristiques techniques	FR	17
Essais périodiques	FR	18

## Protection de l'environnement



Les matériaux constitutifs de l'emballage sont recyclables. Ne pas jeter les emballages dans les ordures ménagères, mais les remettre à un système de recyclage.



Les appareils usés contiennent des matériaux précieux recyclables lesquels doivent être apportés à un système de recyclage. Il est interdit de jeter les batteries, l'huile et les substances similaires dans l'environnement. Pour cette raison, utiliser des systèmes de collecte adéquats afin d'éliminer les appareils hors d'usage.

Ne jetez pas l'huile moteur, le fuel, le diesel ou l'essence dans la nature. Protéger le sol et évacuer l'huile usée de façon favorable à l'environnement.

### Instructions relatives aux ingrédients (REACH)

Les informations actuelles relatives aux ingrédients se trouvent sous :

[www.kaercher.com/REACH](http://www.kaercher.com/REACH)

## Niveaux de danger

### ⚠ DANGER

Signale la présence d'un danger imminent entraînant de graves blessures corporelles et pouvant avoir une issue mortelle.

### ⚠ AVERTISSEMENT

Signale la présence d'une situation éventuellement dangereuse pouvant entraîner de graves blessures corporelles et même avoir une issue mortelle.

### ⚠ PRÉCAUTION

Remarque relative à une situation potentiellement dangereuse pouvant entraîner des blessures légères.

### ATTENTION

Remarque relative à une situation éventuellement dangereuse pouvant entraîner des dommages matériels.

## Символы на приборе



Находящаяся под высоким давлением струя воды может при неправильном использовании представлять опасность. Запрещается направлять струю воды на людей, животных, включенное электрическое оборудование или на сам высоконапорный моющий аппарат.

	Опасность электрического напряжения! Работать с компонентами установки разрешено только специалистам-электрикам или уполномоченным специалистам.
	Опасность ожогов о горячие поверхности!
	Опасность отравления! Не вдыхать выхлопные газы.
	Опасность получения травм! Руками не трогать.

## Использование по назначению

Мойка: машин, автомобилей, строений, инструментов, фасадов, террас, садово-огородного инвентаря и т.д.

### ⚠ ОПАСНОСТЬ

Опасность получения травм! При использовании на автозаправочных станциях или в других опасных зонах соблюдайте соответствующие правила техники безопасности.

Пожалуйста, не допускайте попадания сточных вод, содержащих минеральные масла, в почву, водоемы или канализацию. Поэтому мойку моторов и днища автомашин проводить только в приспособленных для этого местах с маслоуловителем.

### Требования к качеству воды:

#### ВНИМАНИЕ

В качестве среды высокого давления можно использовать только чистую воду. Загрязнения приводят к преждевременному износу устройства и принадлежности или возникновению в них отложений.

Если применяется вода повторного использования, то нельзя выходить за следующие граничные значения.

Значение pH	6,5...9,5
электрическая проводимость *	проводимость свежей воды + 120 мкСим/см
осаждаемые вещества **	< 0,5 mg/l
фильтруемые вещества ***	< 50 mg/l
углеводороды	< 20 mg/l
хлорид	< 300 mg/l
сульфаты	< 240 mg/l
Кальций	< 200 mg/l
Общая жесткость	< 28 °dH < 50 °TH < 500 ppm (mg CaCO <sub>3</sub> /l)
железо	< 0,5 mg/l
марганец	< 0,05 mg/l
медь	< 2 mg/l
активный хлор	< 0,3 mg/l
без неприятных запахов	
* Всего максимум 2000 мкСим/см	
** Объем пробы 1 л, время осаждения 30 мин.	
*** абразивных материалов нет	

## Указания по технике безопасности

- Необходимо соблюдать соответствующие национальные законодательные нормы по работе с жидкостными струйными установками.
- Необходимо соблюдать соответствующие национальные законодательные нормы по технике безопасности. Необходимо регулярно проверять работу жидкостных струйных установок и результат проверки оформлять в письменном виде.
- Нагревательным устройством прибора является топочная установка. Необходимо регулярно проверять топочные установки, соблюдая соответствующие национальные нормы.
- Согласно действующим национальным требованиям, данный высоконапорный моющий аппарат вводится в эксплуатацию для промышленного использования лицом, прошедшим обучение. Специалисты фирмы KÄRCHER осуществили процесс первого ввода в эксплуатацию и задокументировали этот процесс. Документацию можно получить отправив запрос партнеру фирмы KÄRCHER. При запросе документации следует указать номер детали и заводской номер прибора.
- Мы ссылаемся на то, что согласно действующим национальным требованиям прибор периодически должно проверять лицо, прошедшее обучение. Пожалуйста, обратитесь к партнеру фирмы KÄRCHER.
- Запрещается производить какие-либо изменения устройства/принадлежностей.

## Защитные устройства

Защитные приспособления служат для защиты пользователя и не должны выводиться из строя или работать в обход своих функций.

### Перепускной клапан с двумя манометрическими выключателями

- При сокращении объема воды в головной части насоса или при помощи регулятора Servopress открывается перепускной клапан, и часть воды возвращается к всасывающей стороне насоса.
- Если ручной пистолет-распылитель закрывается, и вся вода возвращается к всасывающей стороне насоса, манометрический выключатель на перепускном клапане отключает насос.
- При повторном открывании ручного пистолета-распылителя манометрический выключатель, установленный на головке цилиндра, снова включает насос.

Перепускной клапан настроен и опломбирован на заводе. Настройка осуществляется только сервисной службой.

### Предохранительный клапан

- Предохранительный клапан открывается в случае неисправности перепускного клапана или манометрического выключателя.

Предохранительный клапан настроен и опломбирован на заводе. Настройка осуществляется только сервисной службой.

### Система предохранения от отсутствия воды

- Система предохранения от отсутствия воды препятствует включению горелки при недостатке воды.
- Сетка препятствует загрязнению системы и должна регулярно чиститься.



## Ограничитель температуры отходящих газов

- Ограничитель температуры отходящих газов отключает аппарат при достижении слишком высокой температуры выхлопных газов.

## Начало работы

### ⚠ ПРЕДУПРЕЖДЕНИЕ

*Опасность получения травм! Устройство, принадлежности, подводящие линии и соединительные элементы должны быть в безупречном состоянии. Если состояние не является исправным, то устройство использовать нельзя.*

→ Зафиксируйте стояночный тормоз.

## Установка скобы рукоятки

### Рис. 3

#### **ВНИМАНИЕ**

*Провод электропитания поместить в кабелепровод правой скобы ручки. Следить за тем, чтобы не повредить кабель.*

## Закрепить колпак колеса

### Рис. 4

## Заменить бутылку со средством для ухода за системой

**Указание:** При установке вдавить бутылку с усилием, чтобы пробить крышку. Не вынимать бутылку до опустошения.

**Указание:** Для защиты аппарата отключить горелку на 5 часов после опустошения бутылки со средством для ухода за системой.

- Средство для ухода за системой высокоэффективно препятствует отложению кальция на нагревательном змеевике при эксплуатации с водопроводной водой, содержащей кальций. Оно добавляется по капле в приемный канал бака с поплавком.
- На заводе дозировка установлена на среднюю жесткость воды.

**Указание:** Бутылка со средством для ухода за системой включена в объем поставки.

→ Заменить бутылку со средством для ухода за системой.

## Установка добавления средства для ухода за системой Advance RM 110/RM 111

- Определение местной жесткости воды:
  - через местное предприятие коммунально-бытового обслуживания,
  - с помощью прибора для измерения жесткости воды (№ заказа 6.768-004)

Жесткость воды (°dH)	Шкала сервисного выключателя
<3	OFF (дозировка отсутствует)
3...7	1
7...14	2
14...21	3 (предварительная настройка)
>21	4

→ Установите положение сервисного выключателя в соответствии с таблицей жесткости воды.

**Указание:** При применении средства для ухода за системой Advance 2 RM 111 необходимо обращать внимание на следующее:

- Защита от накипи: см. таблицу
- Уход за насосами и защита от подсмоленной воды: Установить сервисный выключатель по меньшей мере в положение 3.

## Зарядка топливом

### ⚠ ОПАСНОСТЬ

*Опасность взрыва! Следует заливать только дизельное топливо или легкий мазут. Запрещается использовать несоответствующие виды топлива, например, бензин.*

#### **ВНИМАНИЕ**

*Опасность повреждения! Ни в коем случае не эксплуатировать устройство с пустым топливным баком. Иначе будет разрушен топливный насос.*

- Заправка топливом.
- Закройте крышку бака.
- Вытрите пролившееся топливо.

### Заправка мощным средством

#### **⚠ ОПАСНОСТЬ**

*Опасность получения травм!*

- Используйте только изделия фирмы Kärcher.
- Ни в коем случае не заливайте растворители (бензин, ацетон, разбавитель и т.д.).
- Избегайте контакта с глазами и кожей.
- Выполняйте указания по технике безопасности и обращению производителя моющего средства.

**Фирма Kärcher предлагает собственную программу моющих средств и средств для ухода.**

Ваша торговая организация будет рада проконсультировать Вас.

- Залейте мощное средство.

### Смонтировать ручной пистолет-распылитель, струйную трубку, форсунку и высоконапорный шланг

**Примечание:** Система EASY!Lock благодаря быстроразъемному резьбовому соединению позволяет соединять компоненты быстро и надежно всего за один оборот.

#### **Рис. 5**

- Соединить струйную трубку с пистолетом-распылителем и затянуть вручную (EASY!Lock).
- На струйную трубку установить сопло высокого давления.
- Установить и рукой затянуть накидную гайку (EASY!Lock).
- Прибор без барабана для шланга: Соединить шланг высокого давления с пистолетом-распылителем и патрубком высокого давления устройства и затянуть вручную (EASY!Lock).

- Прибор с барабаном для шланга: Соединить шланг высокого давления с пистолетом-распылителем и затянуть вручную (EASY!Lock).

#### **ВНИМАНИЕ**

*Опасность повреждения! Всегда полностью разматывайте шланг высокого давления.*

### Установка запасного шланга высокого давления (аппараты с барабаном для намотки шланга)

#### **Рис. 6**

- Всегда полностью сматывайте из барабана шланг высокого давления.
- Поворачивать барабан для шланга до тех пор, пока привинченная половинка не окажется наверху. Выкрутить все 3 винта и вынуть ослабленную половинку.

#### **Рис. 7**

- Выдавить зажим для шланга высокого давления и вытащить шланг.
- Проложить новый шланг высокого давления через предусмотренную направляющую для шланга и направляющий ролик на нижней стороне аппарата.
- Соединительный патрубок шланга полностью вдвинуть в узловую часть шлангового барабана и закрепить зажимом.
- Снова установить половинку.

### Подключение водоснабжения

Параметры подключения указаны в разделе "Технические данные".

- Закрепить шланг подачи воды (минимальная длина 7,5 м, минимальный диаметр 3/4") на комплекте для подвода воды с помощью хомута.
- Подсоединить шланг подачи воды к подключению забора воды аппарата и к источнику воды (например, к крану).

**Указание:** Шланг подачи воды и хомут не включены в объем поставки.

## Всосать воду из бака

Если Вы желаете использовать воду из внешней емкости, требуется следующее переоборудование:

### Рис. 8

- Отсоединить водоснабжение на головке насоса.
  - Отвинтить верхний шланг с фильтром мелкой очистки для подачи в бак с поплавком и подключить к головке насоса.
  - Переставить выходной патрубок клапана-дозатора моющего средства.
  - Подключить всасывающий шланг (минимальный диаметр 3/4") с фильтром (доп. оборудование) к водоснабжению.
  - Макс. высота всасывания: 0,5 м
- До того, как насос всосал воду, следует:
- Установить регулятор давления/количества на насосе на максимальную величину.
  - Закрыть клапан-дозатор моющего средства.

### ⚠ ОПАСНОСТЬ

*Опасность получения травм и повреждений! Ни в коем случае не всасывать воду из емкости с питьевой водой. Ни в коем случае не всасывать жидкости, содержащие такие растворители, как разбавители лака, бензин, масло или нефилтрованную воду. Уплотнения в устройстве не являются стойкими к действию растворителей. Туман, образующийся из растворителей, легковоспламеняем, взрывоопасен и ядовит.*

## Подключение к источнику тока

- Параметры подключения указаны на заводской табличке и в разделе "Технические данные".
- Электрическое подключение должно проводиться электриком и соответствовать нормам IEC 60364-1.

### ⚠ ОПАСНОСТЬ

*Опасность получения травм от электрического удара!*

- *Неподходящие электрические удлинители могут представлять опасность. Вне помещений следует использовать только допущенные для использования и соответственно маркированные электрические удлинители с достаточным поперечным сечением провода.*
- *Всегда полностью разматывать удлинительные кабели.*
- *Штекер и соединительный элемент используемого удлинительного провода должны быть водонепроницаемыми.*

### ВНИМАНИЕ

*Превышение максимально допустимого полного сопротивления сети в точке электрического подключения (см. раздел "Технические данные") не допускается. В том случае, если вам не известна величина полного сопротивления сети в точке электрического подключения, обратитесь в энергоснабжающую организацию.*

## Управление

### ⚠ ОПАСНОСТЬ

*Опасность взрыва! Не распылять горючие жидкости.*

### ⚠ ОПАСНОСТЬ

*Опасность получения травм! Никогда не использовать устройство без установленной струйной трубки. Проверить прочность фиксации струйной трубки перед каждым применением. Следует плотно затянуть руками резьбовое соединение струйной трубки.*

### ⚠ ОПАСНОСТЬ

*Опасность получения травм! При работе держать пистолет-распылитель и струйную трубку двумя руками.*

### ⚠ ОПАСНОСТЬ

*Опасность получения травм! Во время работы не разрешается блокировка спускового и предохранительного рычагов.*

## **⚠ ОПАСНОСТЬ**

*Опасность получения травм! При повреждении предохранительного рычага обратиться в сервисную службу.*

## **ВНИМАНИЕ**

*Опасность повреждения! Ни в коем случае не эксплуатировать устройство с пустым топливным баком. Иначе будет разрушен топливный насос.*

### **Открытие/закрывание пистолета-распылителя**

- ➔ Открыть пистолет-распылитель: нажать предохранительный и спусковой рычаги.
- ➔ Закрывать пистолет-распылитель: отпустить предохранительный и спусковой рычаги.

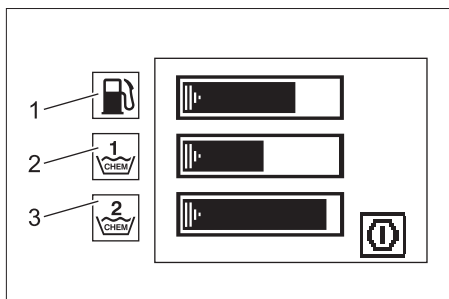
### **Замена форсунки**

## **⚠ ОПАСНОСТЬ**

*Опасность получения травм! Перед заменой сопел следует отключить устройство и удерживать пистолет-распылитель включенным до тех пор, пока в устройстве не будет отсутствовать давление.*

- ➔ Зафиксировать пистолет-распылитель, передвинув предохранительный фиксатор вперед.
- ➔ Заменить сопло.

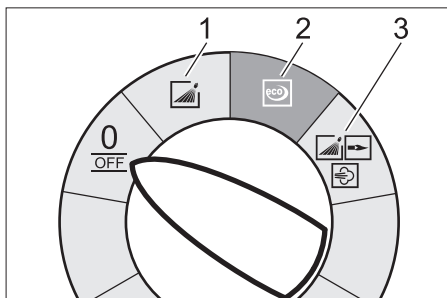
### **Дисплей**



- 1 Индикационная планка - уровень топлива
- 2 Индикационная планка - уровень чистящего средства 1
- 3 Индикационная планка - уровень чистящего средства 2

- Символы работы и ожидания отображаются по очереди, как при слайд шоу, каждые 3 секунды.
- Символ ошибки остается активным до выключения прибора.

### **Режимы**



0/OFF = Выключение

- 1 Режим работы с холодной водой
- 2 Режим работы Eco (горячая вода с макс. температурой до 60 °С)
- 3 Режим работы с горячей водой/паром

### **Включение прибора**

- ➔ Установите выключатель прибора на нужный режим работы.

Прибор включается на короткое время и отключается, как только достигается рабочее давление.

**Указание:** Если во время эксплуатации на дисплее появляется символ неисправности, немедленно выключите прибор и устраните неисправность, см. раздел "Помощь в случае неполадок".

- ➔ Разблокировать пистолет-распылитель, передвинув предохранительный фиксатор назад.

При включении ручного пистолета-распылителя прибор снова включается.

**Указание:** Если из форсунки высокого давления не выходит вода, удалите воздух из насоса. См. параграф "Помощь в случае неполадок - Аппарат не набирает давление" в разделе "Неисправности".

## Регулировка температуры мойки

→ Установите регулятор температуры на нужную температуру.

**30 °C - 98 °C:**

– Мойка горячей водой.

**100 °C - 150 °C:**

– Чистка паром.



**Соблюдать раздел „Работа с паром“!**

## Регулировка рабочего давления и производительности

### Регулятор давления/количества насоса

→ Повернуть регулировочный шпindel по часовой стрелке: повысить рабочее давление (MAX).

→ Повернуть регулировочный шпindel против часовой стрелки: понизить рабочее давление (MIN).

### Регулировка давления/объема подачи на ручном пистолете-распылителе

→ Установить регулятор температуры на макс. 98 °C.

→ Настроить рабочее давление на регуляторе давления/количества на насосе на максимальную величину.

→ Установите рабочее давление и подачу вращением (бесступенчато) регулятора давления/подачи на ручном пистолете-распылителе (+/-).

### **⚠ ОПАСНОСТЬ**

*Опасность получения травм! Во время настройки регулятора давления/количества следить за тем, чтобы резьбовое соединение струйной трубки не ослабло.*

**Примечание:** если необходимо длительное время работать с пониженным давлением, необходимо настроить давление на регуляторе давления/количества на насосе.

## Режим работы с моющим средством

– Для бережного отношения к окружающей среде используйте моющее средство экономно.

– Моющее средство должно быть предназначено для мойки обрабатываемой поверхности.

→ При помощи клапана-дозатора моющего средства установите концентрацию моющего средства, согласно указаниям изготовителя.

**Указание:** Ориентировочные значения пульта управления при максимальном рабочем давлении.

### Мойка

→ Установите давление/температуру и концентрацию моющего средства в соответствии с обрабатываемой поверхностью.

**Указание:** Во избежание повреждений за счет высокого давления сначала всегда направляйте струю высокого давления на обрабатываемый объект с большого расстояния.

### Рекомендуемый способ мойки

– Растворение грязи:

→ Экономно нанесите моющее средство и дайте ему подействовать в течение 1...5 минут, но не допускайте высыхания.

– Удаление грязи:

→ Растворенную грязь смыть струей высокого давления.

## Работа с холодной водой

Удаление легких загрязнений и чистовая мойка, напр.: садово-огородного инвентаря, террас, инструментов и пр.

→ При необходимости отрегулируйте рабочее давление.

### Режим работы Eco

Используется наиболее экономичный температурный режим работы аппарата.

**Указание:** Температуру можно отрегулировать до 60 °C.

## Режим работы с горячей водой/паром

Мы рекомендуем следующие температуры мойки:

- Легкие загрязнения  
**30-50 °C**
- Загрязнения, содержащие белок, напр., в пищевой промышленности  
**макс. 60 °C**
- Мойка автомобилей, машин  
**60-90 °C**
- Расконсервация, загрязнения с высоким содержанием жиров  
**100-110 °C**
- Разморозка заполнителей, часточная очистка фасадов  
**до 140 °C**

## Работа с горячей водой

### ⚠ **ОПАСНОСТЬ**

*Опасность ожогов!*

- ➔ Установите регулятор температуры на нужную температуру.

## Работа с паром

### ⚠ **ОПАСНОСТЬ**

*Опасность ожога! При рабочих температурах более 98 °C рабочее давление не должно превышать 3,2 МПа (32 бар).*

Поэтому необходимо обязательное принятие следующих мер:

### ⚠

- ➔ **Заменить форсунку высокого давления (нержавеющая сталь) на паровую форсунку (латунь, № детали см. в разделе "Технические данные").**
- ➔ Полностью откройте регулятор подачи воды/давления на ручном пистолете-распылителе, направление + до упора.
- ➔ Настроить рабочее давление на регуляторе давления/количества на насосе на минимальную величину.
- ➔ Установите регулятор температуры на мин. 100 °C.

## Перерыв в работе

- ➔ Зафиксировать пистолет-распылитель, передвинув предохранительный фиксатор вперед.

## После эксплуатации с моющим средством

- ➔ Дозирующий клапан моющего средства установить на „0“.
- ➔ Установите выключатель аппарата на ступень 1 (режим работы с холодной водой).
- ➔ Промыть аппарат при открытом клапане пистолета-распылителя минимум 1 минуту.

## Выключение аппарата

### ⚠ **ОПАСНОСТЬ**

*Опасность ожога горячей водой! После эксплуатации с горячей водой или паром устройство в целях охлаждения должно поработать при открытом пистолете в течение не менее двух минут с применением холодной воды.*

- ➔ Закрыть подачу воды.
- ➔ Открыть ручной пистолет-распылитель.
- ➔ Включить насос с помощью выключателя прибора и дать ему поработать 5-10 секунд.
- ➔ Закрыть пистолет-распылитель.
- ➔ Перевести переключатель в положение "0/OFF".
- ➔ Вытаскивайте штепсельную вилку из розетки только сухими руками.
- ➔ Отсоедините водоснабжение.
- ➔ Включить пистолет-распылитель, пока аппарат не освободится от давления.
- ➔ Зафиксировать пистолет-распылитель, передвинув предохранительный фиксатор вперед.

## Хранение прибора

- ➔ Зафиксируйте струйную трубку в креплении крышки прибора.
- ➔ Смотайте шланг высокого давления и электрический провод и повесте на держатели.

Прибор с барабаном для шланга:

- Перед намоткой разложите шланг высокого давления в вытянутом виде.
- Вращайте кривошипную рукоятку по часовой стрелке (в направлении стрелки).

**Указание:** Не перегибайте шланг высокого давления и электрический провод.

### Защита от замерзания

#### **ВНИМАНИЕ**

*Опасность повреждения! Мороз разрушает устройство, если из него полностью не удалена вода.*

- Поставьте прибор на хранение в защищенном от мороза помещении.

Если прибор подключен к дымоходу, следует выполнять следующие указания:

#### **ВНИМАНИЕ**

*Опасность повреждения за счет холодного воздуха, поступающего через дымоход.*

- При наружной температуре ниже 0 °C отсоедините прибор от дымохода.

Если хранение в месте, защищенном от мороза, невозможно, прибор следует вывести из эксплуатации.

### Вывод из эксплуатации

При длительных паузах в эксплуатации или в случае невозможности хранения в месте, защищенном от мороза:

- Опорожните бак для моющего средства.
- Слить воду.
- Промывка прибора антифризом.

#### **Слив воды**

- Отвинтите шланг подачи воды и шланг высокого давления.
- Отсоедините подающий провод, отвернув его от дна котла и освободив нагревательный змеевик.
- Оставьте прибор включенным в течение не более 2 минут до тех пор, пока насос и трубопроводы не опорожнятся.

### Прополаскать аппарат антифризом

**Указание:** Соблюдайте инструкции по использованию антифриза.

- Залейте в бак с поплавком обычный антифриз.
- Включить аппарат (без горелки), пока он полностью не прополаскается.

В результате этого также достигается определенная антикоррозионная защита.

### Хранение

#### **△ ОСТОРОЖНО**

*Опасность травмы и повреждения! Обратить внимание на вес устройства при хранении.*

### Транспортировка

#### **Рис. 9**

#### **ВНИМАНИЕ**

*Опасность повреждения! При погрузке устройства с применением вилочного погрузчика обратить внимание на рисунок.*

#### **ВНИМАНИЕ**

*Во время транспортировки обеспечить защиту спускового рычага от повреждения.*

#### **△ ОСТОРОЖНО**

*Опасность травмы и повреждения! Обратить внимание на вес устройства при транспортировке.*

- При перевозке аппарата в транспортных средствах следует учитывать действующие местные государственные нормы, направленные на защиту от скольжения и опрокидывания.

### Уход и техническое обслуживание

#### **△ ОПАСНОСТЬ**

*Опасность получения травмы от случайно запущенного устройства и удара электрическим током. Перед проведением любых работ на устройстве следует выключить устройство и извлечь штепсельную вилку из розетки.*

- Закрыть подачу воды.

- Открыть ручной пистолет-распылитель.
- Включить насос с помощью выключателя прибора и дать ему поработать 5-10 секунд.
- Закрыть пистолет-распылитель.
- Перевести переключатель в положение "0/OFF".
- Вытаскивайте штепсельную вилку из розетки только сухими руками.
- Отсоедините водоснабжение.
- Удерживайте ручной пистолет-распылитель включенным до тех пор, пока в приборе не выровняется давление.
- Зафиксировать пистолет-распылитель, передвинув предохранительный фиксатор вперед.
- Дать аппарату остыть.

**Информацию о проведении регулярной инспекции техники безопасности или заключении договора о техническом обслуживании можно получить в специализированной торговой организации фирмы Kärcher.**

### Периодичность технического обслуживания

#### Каждую неделю

- Очистить сетчатый фильтр подключения подачи воды.
- Очистить фильтр тонкой очистки.
- Проверьте уровень масла.

#### **ВНИМАНИЕ**

*Опасность повреждения! В случае помутнения масла немедленно свяжитесь с сервисной службой фирмы Kärcher.*

#### Ежемесячно

- Очистите сетчатый фильтр в системе предохранения от отсутствия воды.
- Очистить фильтр во всасывающем шланге моющего средства.

#### Каждые 500 часов работы, не реже раза в год

- Замена масла.
- Техническое обслуживание устройства может осуществлять сервисная служба.

#### Самое позднее - периодически на протяжении 5 лет

- Провести испытание под давлением согласно инструкциям производителя.

### Работы по техническому обслуживанию

#### Очистка сетчатого фильтра подключения подачи воды

- Удалите сетку.
- Промойте сетку в воде и установите на место.

#### Очистка фильтра тонкой очистки

- Освободить аппарат от давления.
- Отвинтить крышку с фильтром.
- Очистить фильтр чистой водой или сжатым воздухом.
- Снова собрать в обратной последовательности.

#### Очистка сетчатого фильтра в системе предохранения от отсутствия воды

- Освободить аппарат от давления.
- Отверните накидную гайку и снимите шланг.
- Выньте сетку.

**Указание:** При необходимости прикл. на 5 мм заверните винт M8 и при помощи него выньте сетку.

- Промойте сетку в воде.
- Вставьте сетку.
- Наденьте шланг.
- Затяните накидную гайку.

#### Очистка фильтра во всасывающем шланге моющего средства

- Вытяните штуцер всоса моющего средства.
- Промойте фильтр в воде и установите на место.



## Замена масла

- Приготовьте маслосборник объемом ок. 1 л.
- Отверните винт сливного отверстия.

Утилизируйте масло без ущерба для окружающей среды или сдайте в пункт утилизации.

- Снова затяните винт сливного отверстия.
- Медленно долейте масла до отметки "MAX".

**Указание:** Пузырьки воздуха должны выйти.

**Вид и количество масла указаны в разделе "Технические данные".**

## Профилактические работы, показываемые на дисплее

### Символ "Техническое обслуживание насоса"



- Провести техническое обслуживание.

### Символ "Техническое обслуживание горелки"



- Провести техническое обслуживание.

### Символ "Техническое обслуживание принадлежностей"



- Провести техническое обслуживание.

## Помощь в случае неполадок

### ⚠ **ОПАСНОСТЬ**

*Опасность получения травмы от случайно запущенного устройства и удара электрическим током. Перед проведением любых работ на устройстве следует выключить устройство и извлечь штепсельную вилку из розетки.*

### Индикационная планка - уровень топлива - гаснет

- Топливный бак пуст.
- Заправка топливом.

### Индикационная планка - уровень чистящего средства 1 - гаснет

- Бак чистящего средства 1 пуст.
- Залейте моющее средство.

### Индикационная планка - уровень чистящего средства 2 - гаснет

- Бак чистящего средства 2 пуст.
- Залейте моющее средство.

### Символ "Насос"



- Недостаточная подача масла
- Залить масло.

**Указание:** При недостаточной подаче масла прибор не выключается.

### Символ "Направление вращения"



### Рис. 10

- Поменять местами полюсы на штепсельной вилке.

## Символ "Двигатель"



- Перегрузка/перегрев мотора
- ➔ Перевести переключатель в положение "0/OFF".
- ➔ Дайте прибору остыть.
- ➔ Включить аппарат.
- Неисправность возникла вновь.
- ➔ Поставить в известность сервисную службу.

## Символ "Электрооборудование"



- Сбой защиты
- ➔ Перевести переключатель в положение "0/OFF".
- ➔ Включить аппарат.
- Неисправность возникла вновь.
- ➔ Поставить в известность сервисную службу.
- Сбой в электропитании.
- ➔ Проверить подключение сети питания и предохранители.
- Слишком высокое потребление электроэнергии.
- ➔ Проверить подключение сети питания и предохранители.
- ➔ Поставить в известность сервисную службу.

## Символ "Недостаток воды"



- Недостаток воды
- ➔ Проверить элемент подключения воды, проверить подающий трубопровод.

## Символ "Неисправность горелки"



- Сработал ограничитель температуры отработанных газов.
- ➔ Перевести переключатель в положение "0/OFF".
- ➔ Дайте прибору остыть.
- ➔ Включить аппарат.
- Неисправность возникла вновь.
- ➔ Поставить в известность сервисную службу.

## Символ "Неисправность"



- Течь в системе высокого давления
- ➔ Проверьте систему высокого давления и соединения на плотность.
- ➔ Поставить в известность сервисную службу.

## Символ "Датчик огня"



- Датчик огня отключил горелку.
- ➔ Поставить в известность сервисную службу.

## Символ "Распознавание средства для ухода за системой"



- Повреждение распознавания средства для ухода за системой.
- ➔ Поставить в известность сервисную службу.

## Символ "Уход за системой"

RM 110  
RM 111



**Указание:** Использование горелки возможно только на протяжении 5 часов.

- Пустая бутылка со средством для ухода за системой.
- Заменить бутылку со средством для ухода за системой.

~~RM 110~~  
~~RM 111~~



**Указание:** Работа горелки невозможна.

- Пустая бутылка со средством для ухода за системой.
- Заменить бутылку со средством для ухода за системой.

## Прибор не работает

- Отсутствие напряжения
- Проверьте подключение к электросети/подачу питания.

## Прибор не набирает давление

- Воздух в системе
- Удалите воздух из насоса:
- Дозирующий клапан моющего средства установить на „0“.
  - При открытом пистолете несколько раз включите и выключите прибор.
  - Выкрутить и закрутить регулятор давления/количества на насосе при открытом ручном пистолете-распылителе.

**Указание:** Путем демонтажа шланга высокого давления из элемента подключения высокого давления процесс вытяжки ускоряется.

- Если емкость для моющего средства пуста, наполните.
- Проверьте подключения и трубопроводы.
- Давление установлено на уровне "MIN"
- Установите давление на уровень "MAX".

- Засорился сетчатый фильтр подачи воды
- Очистить ситечко.
- Прочистить складчатый фильтр, при необходимости заменить.
- Подаваемое количество воды слишком низкое
- Проверить объем подачи воды (см. раздел "Технические данные").

## Прибор протекает, вода капает из нижней части прибора

- Насос негерметичен
- Указание:** Допускаются 3 капли в минуту.
- При сильной протечке проверить аппарат в сервисе по обслуживанию клиентов.

## Прибор при подключенном ручном пистолете-распылителе постоянно включается и выключается

- Течь в системе высокого давления
- Проверьте систему высокого давления и соединения на плотность.

## Прибор не всасывает моющее средство

- Оставьте прибор работать при открытом клапане-дозаторе моющего средства и закрытой подаче воды до тех пор, пока полностью не будет опорожнен бак с поплавком и давление не снизится до отметки "0".
  - Снова откройте подачу воды.
- Если насос до сих пор не всасывает моющего средства, это может иметь следующие причины:
- Фильтр во всасывающем шланге моющего средства загрязнен
  - Чистка фильтра.
  - Обратный клапан залипает
  - Снимите шланг для моющего средства и освободите обратный клапан при помощи тупого предмета.

## Горелка не зажигается

- Пустая бутылка со средством для ухода за системой.
- Заменить бутылку со средством для ухода за системой.
- Топливный бак пуст.
- Заправка топливом.
- Недостаток воды
- Проверить элемент подключения воды, проверить подающий трубопровод.
- Очистите сетчатый фильтр в системе предохранения от отсутствия воды.
- Топливный фильтр загрязнен
- Замените топливный фильтр.
- Отсутствие искры зажигания
- Если при эксплуатации через смотровое стекло не видна искра зажигания, поручите осмотр прибора сервисной службе.

## Установленная температура при эксплуатации с горячей водой не достигается

- Рабочее давление/производительность слишком высоко/а
- Установить рабочее давление и производительность на регуляторе давления/количества на насосе.
- Закопченный нагревательный змеевик
- Поручите удаление копоти сервисной службе.

## Сервисная служба

**Если неисправность не удается устранить, прибор необходимо отправить на проверку в сервисную службу.**

## Гарантия

В каждой стране действуют соответственно гарантийные условия, изданные уполномоченной организацией сбыта нашей продукции в данной стране. Возможные неисправности прибора в течение гарантийного срока мы устраняем бесплатно, если причина заключается в дефектах материалов или ошибках при изготовлении. В случае возникновения претензий в течение гарантийного срока просьба обращаться, имея при себе чек о покупке, в торговую организацию, продавшую вам прибор или в ближайшую уполномоченную службу сервисного обслуживания.

Дата выпуска отображается на заводской табличке в закодированном виде. При этом отдельные цифры имеют следующее значение::

Пример: 30190  
3 год выпуска  
0 столетие выпуска  
1 десятилетие выпуска  
9 вторая цифра месяца выпуска  
0 первая цифра месяца выпуска

Таким образом, в данном примере код 30190 означает дату выпуска 09/(2)013.

## Принадлежности и запасные детали

Используйте оригинальные принадлежности и запчасти — только они гарантируют безопасную и бесперебойную работу устройства.

Информацию о принадлежностях и запчастях вы можете найти на сайте [www.kaercher.com](http://www.kaercher.com).

# Заявление о соответствии EU

Настоящим мы заявляем, что нижеуказанный прибор по своей концепции и конструкции, а также в осуществленном и допущенном нами к продаже исполнении отвечает соответствующим основным требованиям по безопасности и здоровью согласно директивам EU. При внесении изменений, не согласованных с нами, данное заявление теряет свою силу.

**Продукт** высоконапорный моющий прибор

**Тип:** 1.071-xxx

## Основные директивы EU

2014/68/EU

2006/42/EC (+2009/127/EC)

2014/30/EU

2014/53/EU

2000/14/EC

## Категория узла

II

## Способ соответствия

Модуль H

## Нагревательный змеевик

Оценка соответствия модуля H

## Предохранительный клапан

Оценка соответствия Ст. 4 абз. 3

## Блок управления

Оценка соответствия модуля H

## различные трубопроводы

Оценка соответствия Ст. 4 абз. 3

## Примененные гармонизированные нормы

EN 55014-1: 2006+A1: 2009+A2: 2011

EN 55014-2: 2015

EN 60335-1

EN 60335-2-79

EN 61000-3-2: 2014

EN 61000-3-11: 2000

EN 62233: 2008

EN 300 330-2 V1.5.1 : 2010

EN 301 489-1 V1.8.1 : 2008

EN 301 489-3 V1.4.1 : 2002

## Примененные спецификации:

AD 2000 по образцу

TRD 801 по образцу

## Название ответственного представительства:

Для 2014/68/EU

TÜV Rheinland Industrie Service GmbH

Am Grauen Stein

51105 Köln

Код 0035

Сертификат №:

01 202 111/Q-08 0003

## Примененный порядок оценки соответствия

2000/14/EC: Приложение V

## Уровень мощности звука dB(A)

Измерено: 89

Гарантировано: 91

вано:

5.957-902

Нижеподписавшиеся лица действуют по поручению и по доверенности руководства предприятия.



H. Jenner

CEO



S. Reiser

Head of Approbation

уполномоченный по документации:  
S. Reiser

Alfred Kaercher GmbH & Co. KG

Alfred-Kaercher-Str. 28 - 40

71364 Winnenden (Germany)

Тел.: +49 7195 14-0

Факс: +49 7195 14-2212

Winnenden, 2016/01/01

## Технические данные

		HDS 13/20	HDS 13/20
<b>Электропитание</b>			
Напряжение	В	230	400
Вид тока	Гц	3~ 50	3~ 50
Потребляемая мощность	кВт	9,3	9,3
Предохранитель (инертный)	А	55	32
Тип защиты	--	IPX5	IPX5
Класс защиты	--	I	I
Максимально допустимое сопротивление сети	Ом	(0.159+j0.100)	(0.159+j0.100)
<b>Подключение водоснабжения</b>			
Температура подаваемой воды (макс.)	°С	30	30
Количество подаваемой воды (мин.)	л/ч (л/мин)	1500 (25)	1500 (25)
Высота всоса из открытого бака (20 °С)	м	0,5	0,5
Давление напора (макс.)	МПа (бар)	0,6 (6)	0,6 (6)
<b>Данные о производительности</b>			
Производительность при работе с водой	л/ч (л/мин)	600-1300 (10-21,6)	600-1300 (10-21,6)
Рабочее давление воды (со стандартной форсункой)	МПа (бар)	3-20 (30-200)	3-20 (30-200)
Макс. рабочее давление (предохранительный клапан)	МПа (бар)	24 (240)	24 (240)
Производительность при работе с паром	л/ч (л/мин)	600-650 (10-10,8)	600-650 (10-10,8)
Макс. рабочее давление воды (со стандартной форсункой)	МПа (бар)	3,2 (32)	3,2 (32)
№ детали паровой форсунки	--	2.114-011.0	2.114-011.0
Макс. рабочая температура горячей воды	°С	98	98
Рабочая температура при работе с паром	°С	155	155
Всасывание моющего средства	л/ч (л/мин)	0-78 (0-1,3)	0-78 (0-1,3)
Мощность горелки	кВт	108	108
Максимальный расход топлива	кг/ч	8,3	8,3
Сила отдачи ручного пистолета-распылителя (макс.)	Н	40,3	40,3
Размер стандартной форсунки (SX)	--	070 (072)	070 (072)
<b>Значение установлено согласно EN 60335-2-79</b>			
Уровень шума			
Уровень шума дБ <sub>а</sub>	дБ(А)	74	74
Опасность K <sub>РА</sub>	дБ(А)	2	2
Уровень мощности шума L <sub>WA</sub> + опасность K <sub>WA</sub>	дБ(А)	91	91
Значение вибрации рука-плечо			
Ручной пистолет-распылитель	м/с <sup>2</sup>	1,66	1,66
Струйная трубка	м/с <sup>2</sup>	5,85	5,85
Опасность К	м/с <sup>2</sup>	1,0	1,0
<b>Рабочие вещества</b>			
Топливо	--	Мазут EL или дизельное топливо	Мазут EL или дизельное топливо
Объем масла	л	1,0	1,0
Вид масла	--	SAE 90	SAE 90
<b>Размеры и массы</b>			
Длина x ширина x высота	мм	1330 x 750 x 1060	1330 x 750 x 1060
Типичный рабочий вес, S	кг	200	200
Типичный рабочий вес, SX	кг	205	205
Топливный бак	л	25	25
Бак для моющего средства	л	10+20	10+20

## Периодические проверки

**Указание:** Необходимо придерживаться рекомендуемых сроков проверки, соответствующих национальным требованиям страны эксплуатационника.

<b>Дата проведения проверки:</b>	<b>Внешний осмотр</b>	<b>Внутренний осмотр</b>	<b>Испытание на прочность</b>
Имя	Подпись лица, прошедшего обучение/ дата	Подпись лица, прошедшего обучение/ дата	Подпись лица, прошедшего обучение/ дата
Имя	Подпись лица, прошедшего обучение/ дата	Подпись лица, прошедшего обучение/ дата	Подпись лица, прошедшего обучение/ дата
Имя	Подпись лица, прошедшего обучение/ дата	Подпись лица, прошедшего обучение/ дата	Подпись лица, прошедшего обучение/ дата
Имя	Подпись лица, прошедшего обучение/ дата	Подпись лица, прошедшего обучение/ дата	Подпись лица, прошедшего обучение/ дата
Имя	Подпись лица, прошедшего обучение/ дата	Подпись лица, прошедшего обучение/ дата	Подпись лица, прошедшего обучение/ дата
Имя	Подпись лица, прошедшего обучение/ дата	Подпись лица, прошедшего обучение/ дата	Подпись лица, прошедшего обучение/ дата